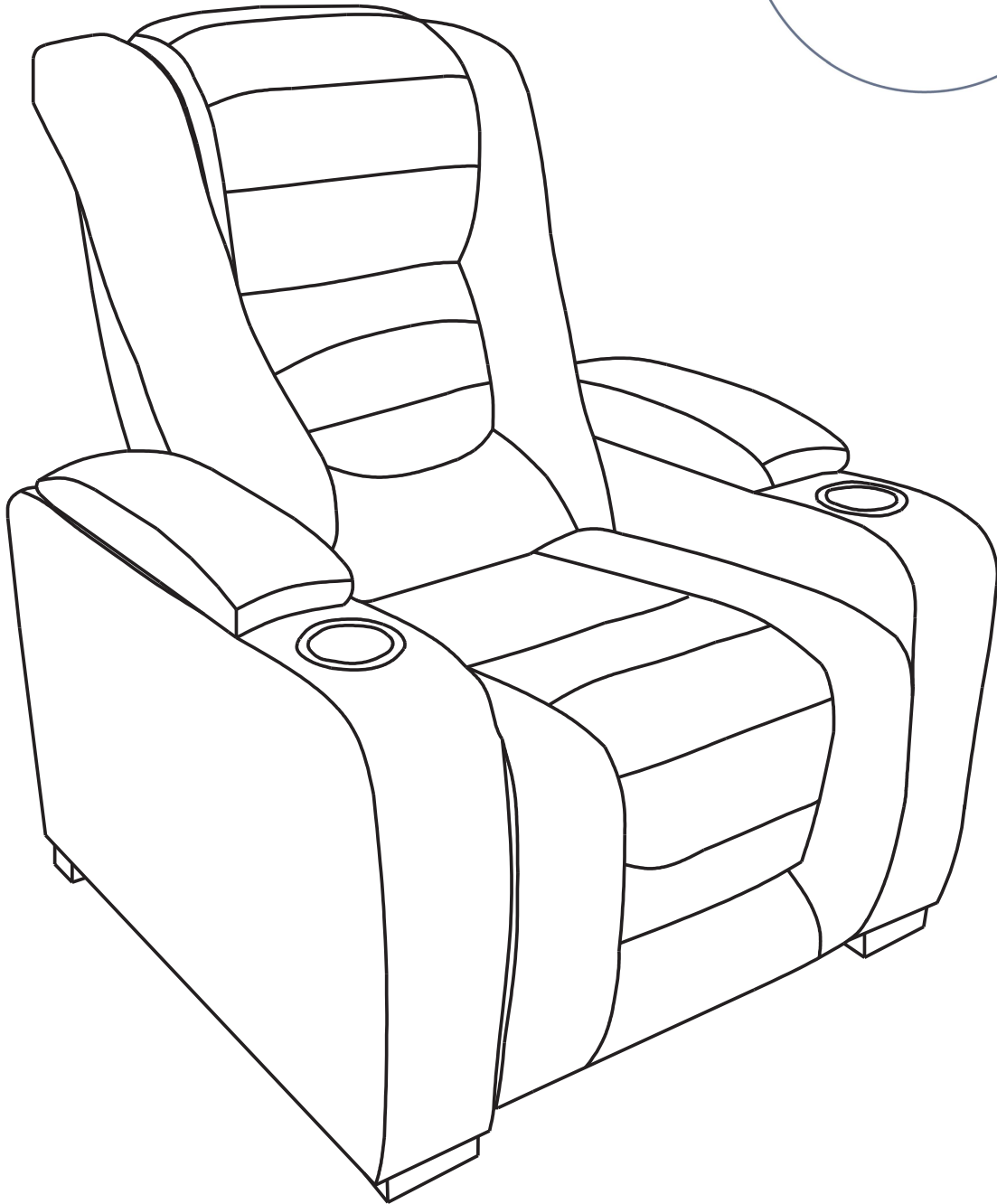

Assembly Manual

Theater Chair

Model Number: 9MX00U1

Item Number: 259781



THIS ASSEMBLY MANUAL CONTAINS IMPORTANT SAFETY INFORMATION.
PLEASE READ AND KEEP FOR FUTURE REFERENCE.

Questions or Comments?
We'd love to help with any questions or concerns.
Phone: 1-866-387-8065
Email: info@northridge-home.com
If you prefer, you may also contact us via our website:
www.northridge-home.com

Important Safety Information

- Please read all instructions carefully before assembling this furniture.
 - For your safety, assembly by two or more adults is strongly recommended.
 - Use only vendor-supplied hardware to assemble this item. Using unauthorized hardware could jeopardize the structural integrity of the item.
 - Hardware may loosen over time. Periodically check that all connections are tight.
-

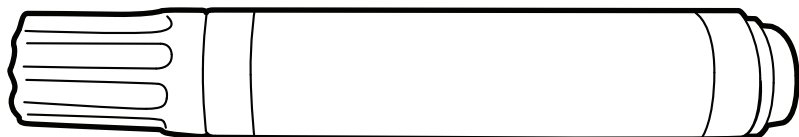
Before Assembly

- Remove all parts and hardware from the box. Place all items on a carpeted or scratch-free work surface, as this will avoid damaging parts during assembly
 - The shipping box provides an ideal work surface.
 - To avoid accidentally discarding small parts or hardware, do not dispose or any packaging or contents of the shipping carton until assembly is complete.
 - Use the parts and hardware lists below to identify and separate each of the pieces included.
 - The use of power tools for assemble is not recommended Power tools can damage the hardware and/or split the wood.
 - Note Do not fully tighten all bolts until all parts are in place. Failure to follow these instructions may cause the bolts to misalign during assembly.
-

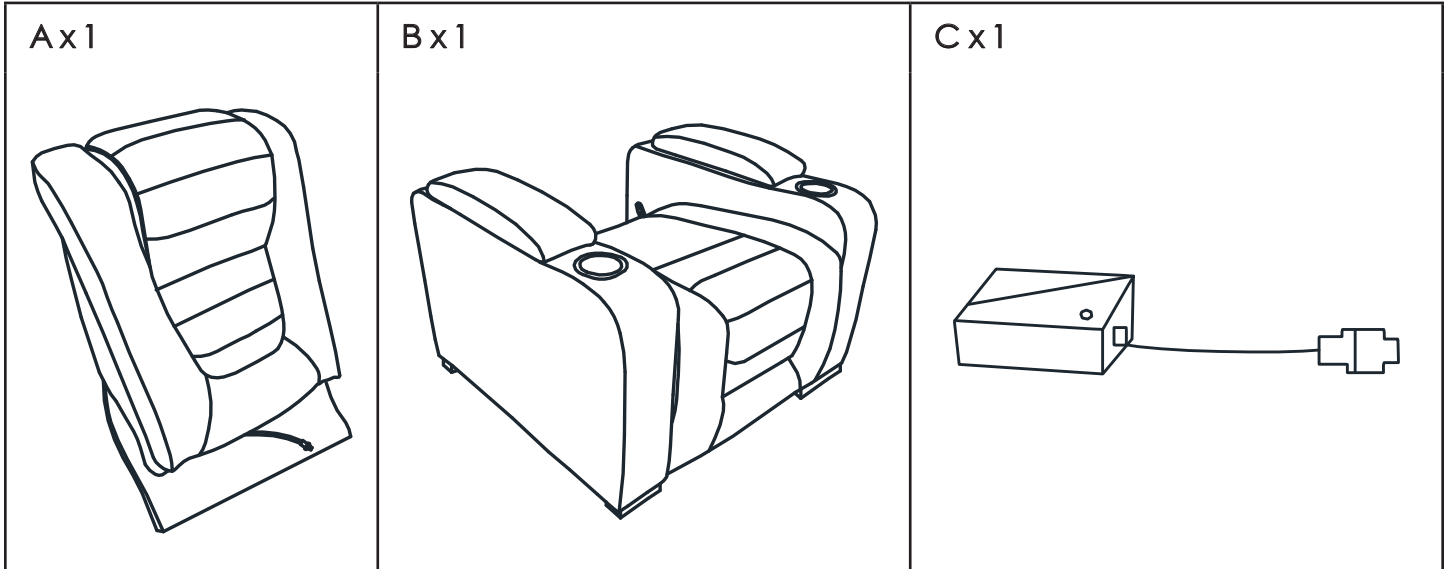
Care and Cleaning

- Spot clean with upholstery shampoo foam from a mild detergent or mild dry cleaning.
 - Do not saturate with liquid.
 - Pile fabrics may require brushing to restore appearance.
-

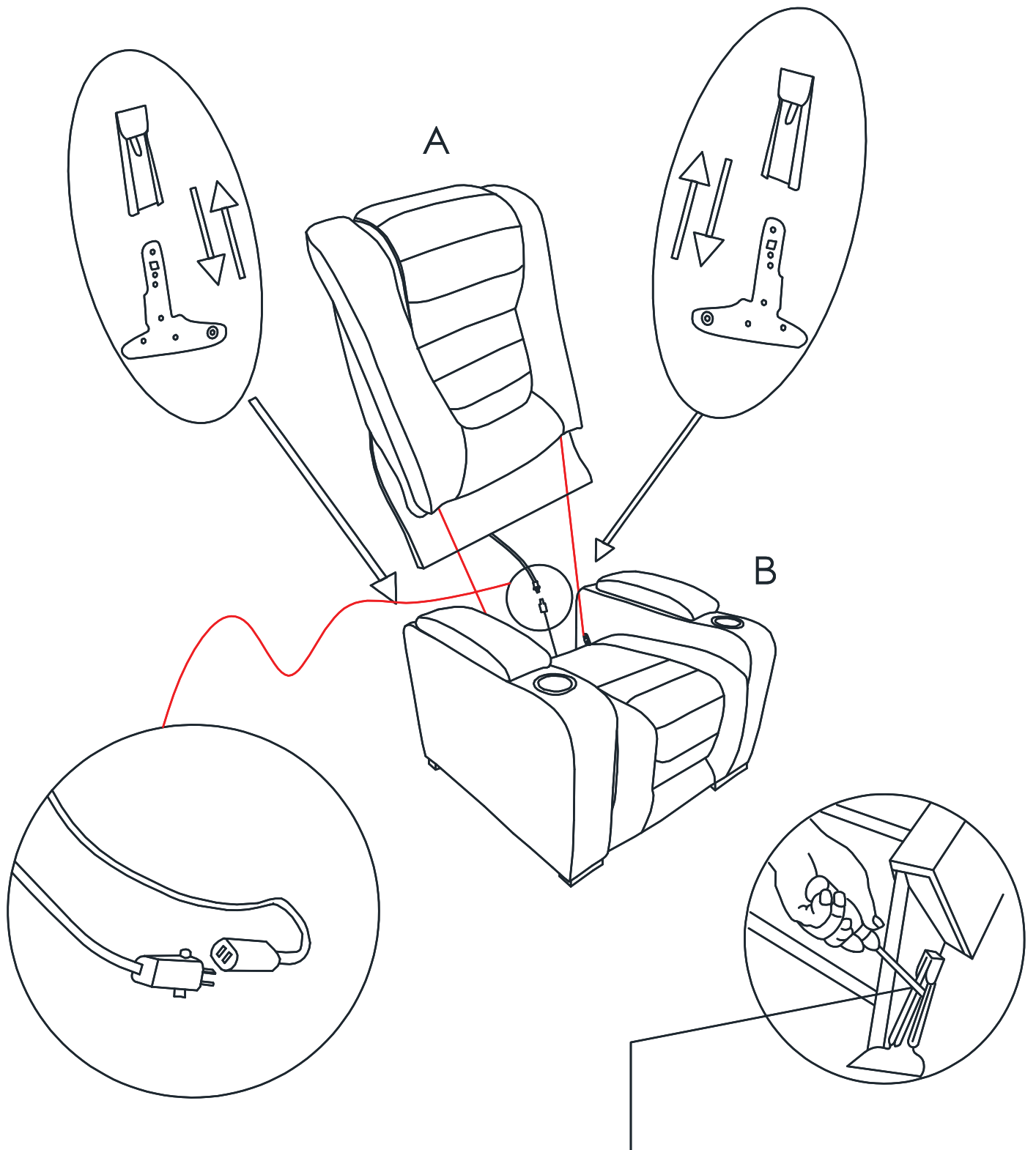
Touch-up Pen



Components

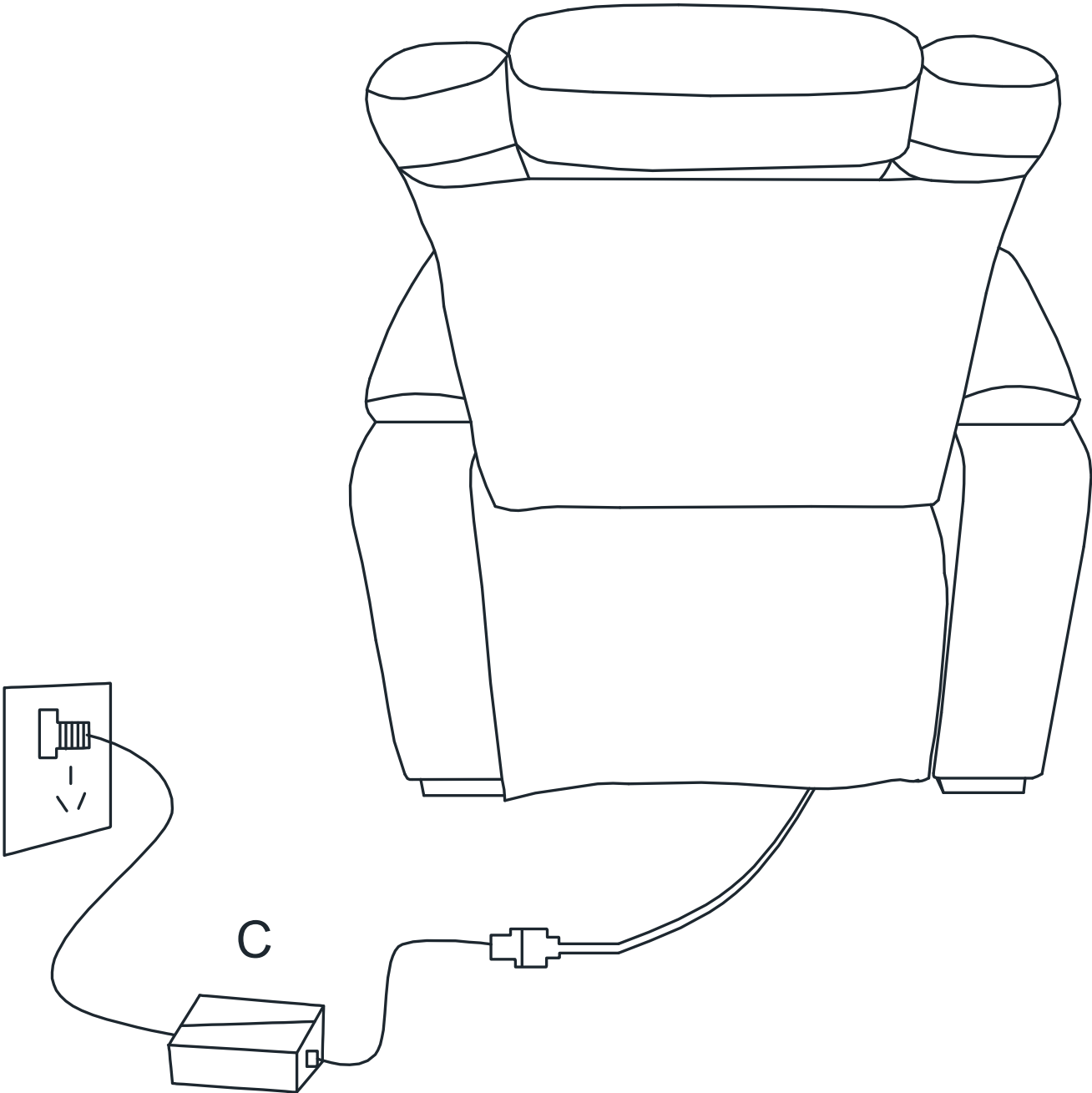


Step 1

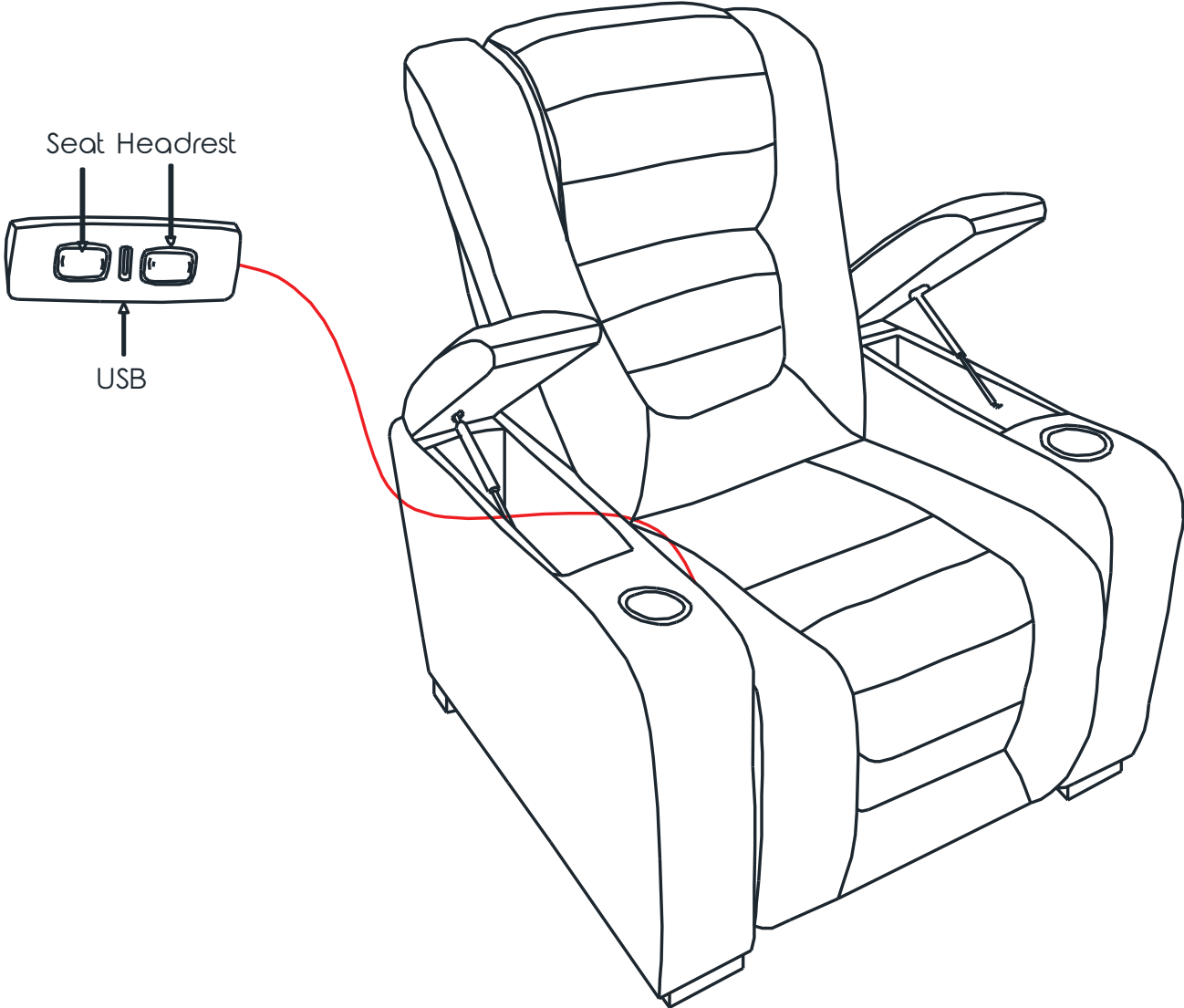


To remove the back, use a screwdriver pressing outward on the back tab in the receiver on both sides and lift the back from the base

Step 2



Step 3



Completed

