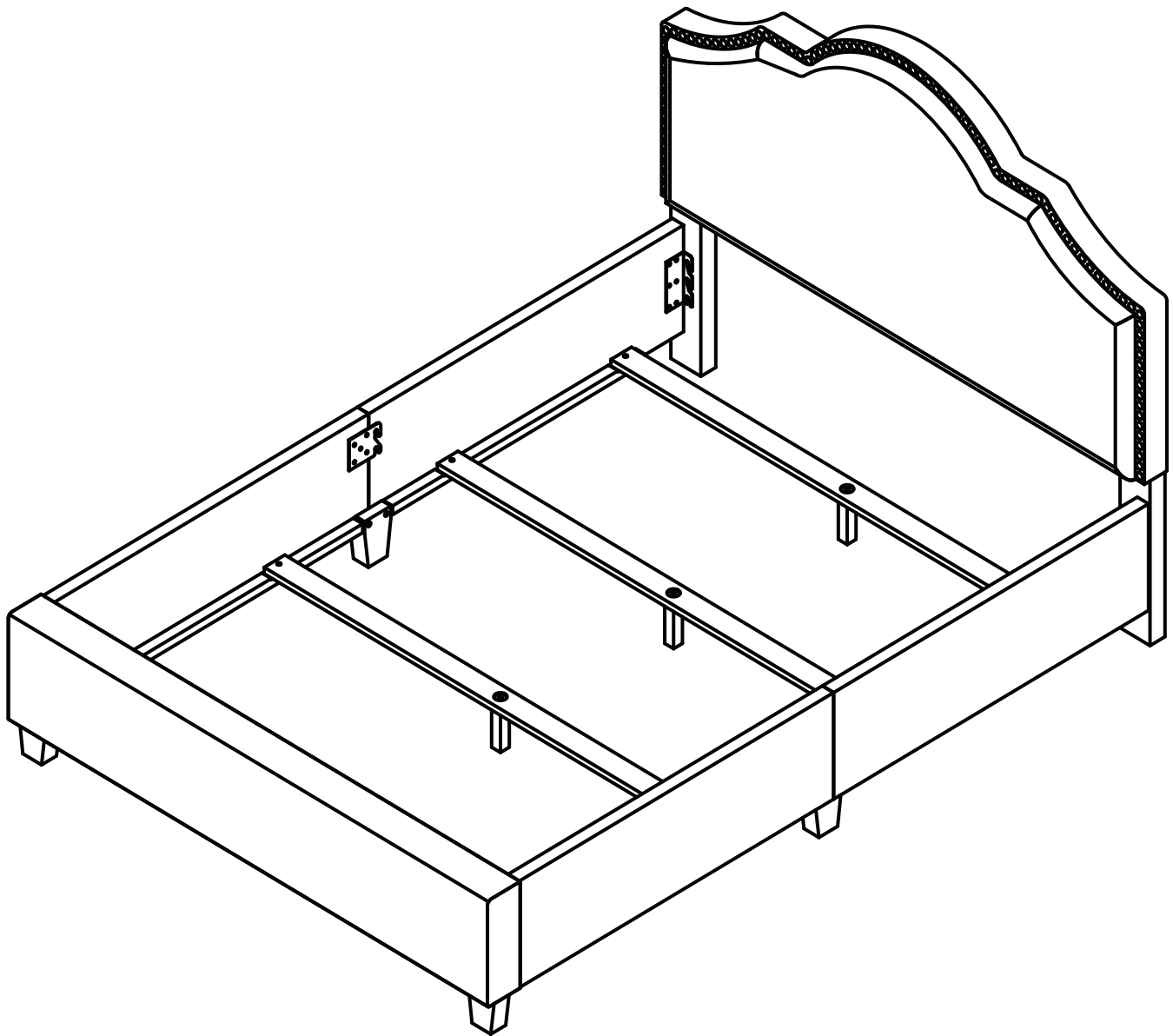

Assembly Manual

Upholstered Queen Bed Frame

Model Number: 0B220U1Q

Item Number: 252701



THIS ASSEMBLY MANUAL CONTAINS IMPORTANT SAFETY INFORMATION.
PLEASE READ AND KEEP FOR FUTURE REFERENCE.

Questions or Comments?
We'd love to help with any questions or concerns.
Phone: 1-866-387-8065
Email: info@northridge-home.com
If you prefer, you may also contact us via our website:
www.northridge-home.com

Important Safety Information

- Please read all instructions carefully before assembling this furniture.
 - For your safety, assembly by two or more adults is strongly recommended.
 - Use only vendor-supplied hardware to assemble this item. Using unauthorized hardware could jeopardize the structural integrity of the item.
 - Hardware may loosen overtime. Periodically check that all connections are tight.
-

Before Assembly

- Remove all parts and hardware from the box. Place all items on a carpeted or scratch-free work surface, as this will avoid damaging parts during assembly.
 - The shipping box provides an ideal work surface.
 - To avoid accidentally discarding small parts or hardware, do not dispose of any packaging or contents of the shipping carton until assembly is complete.
 - Use the parts and hardware lists below to identify and separate each of the pieces included.
 - The use of power tools for assembly is not recommended. Power tools can damage the hardware and/or split the wood.
 - Note: Do not fully tighten all bolts until all parts are in place. Failure to follow these instructions may cause the bolts to misalign during assembly.
-

Care and Cleaning

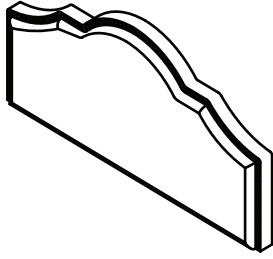
- Spot clean with upholstery shampoo foam from a mild detergent or mild dry cleaning.
 - Do not saturate with liquid.
 - Pile fabrics may require brushing to restore appearance.
-

Touch-up Pen

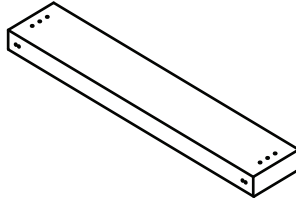


Components

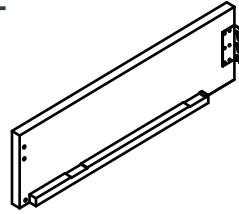
A x 1



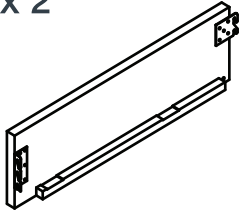
B x 1



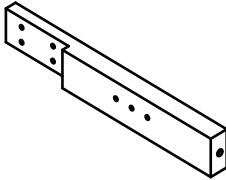
C x 2



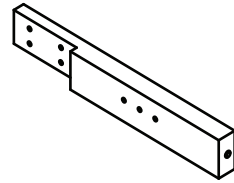
D x 2



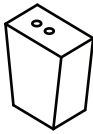
E x 1



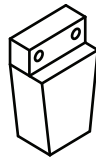
F x 1



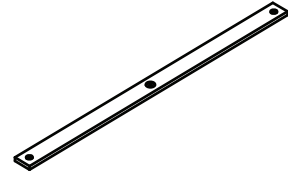
G x 2



H x 2



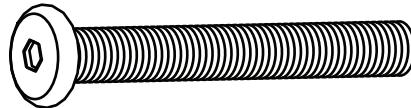
I x 4



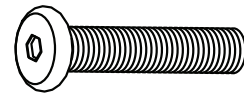
J x 4



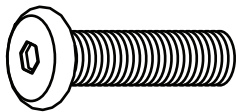
K x 2



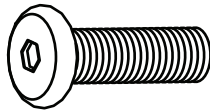
L x 12



M x 12



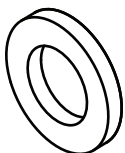
N x 4



O x 30



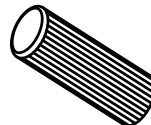
P x 30



Q x 1



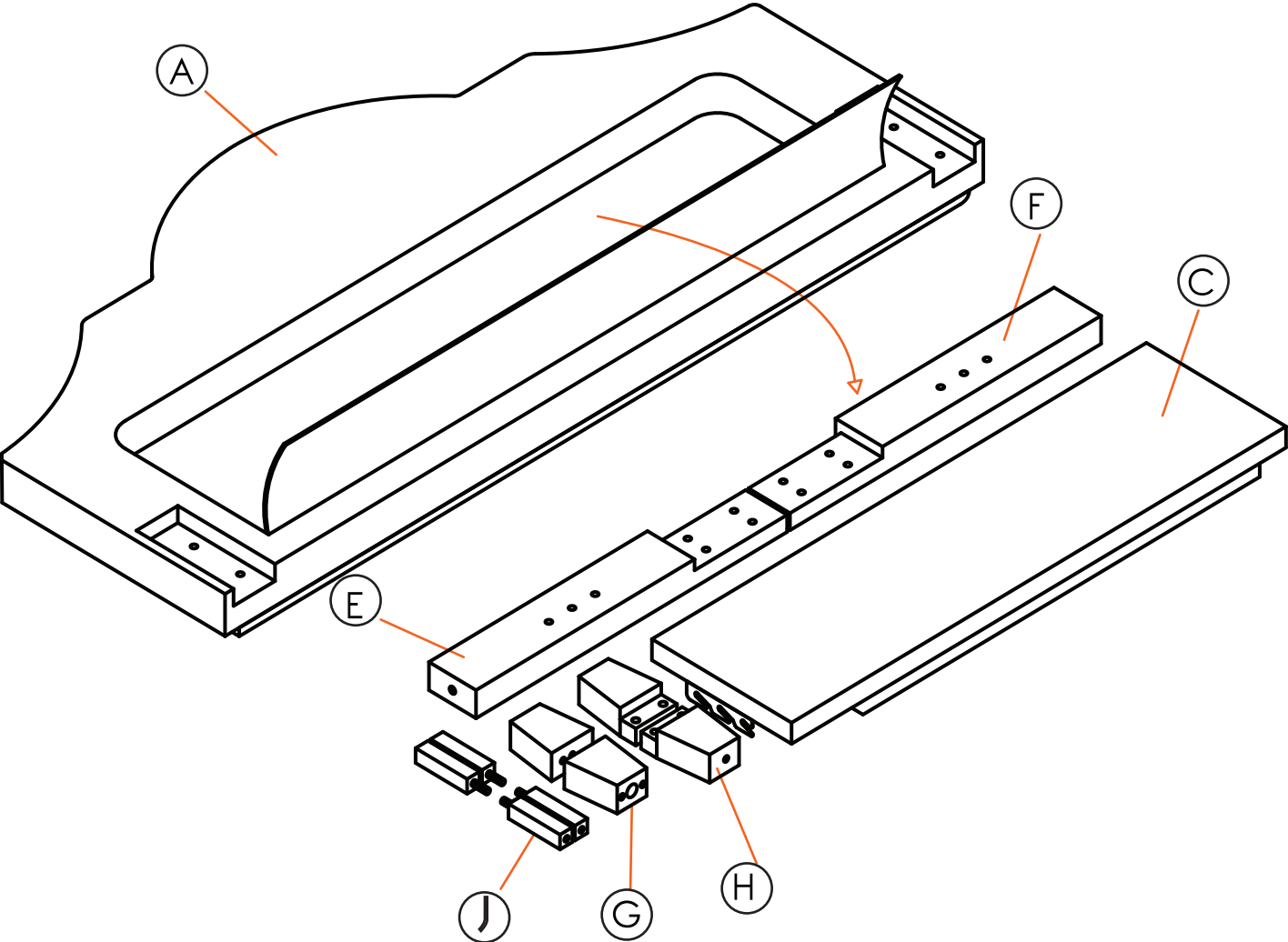
R x 2



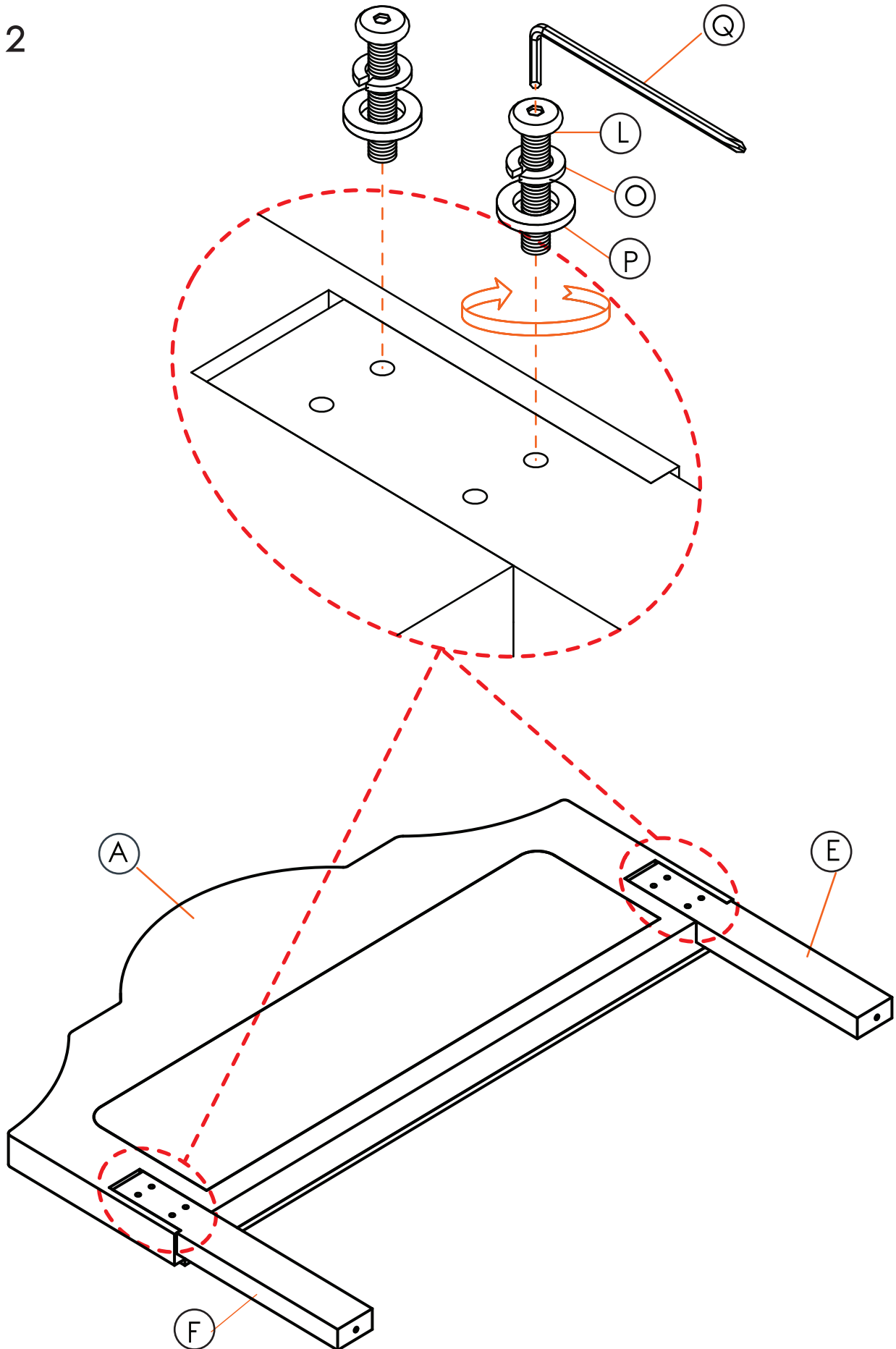
S x 8



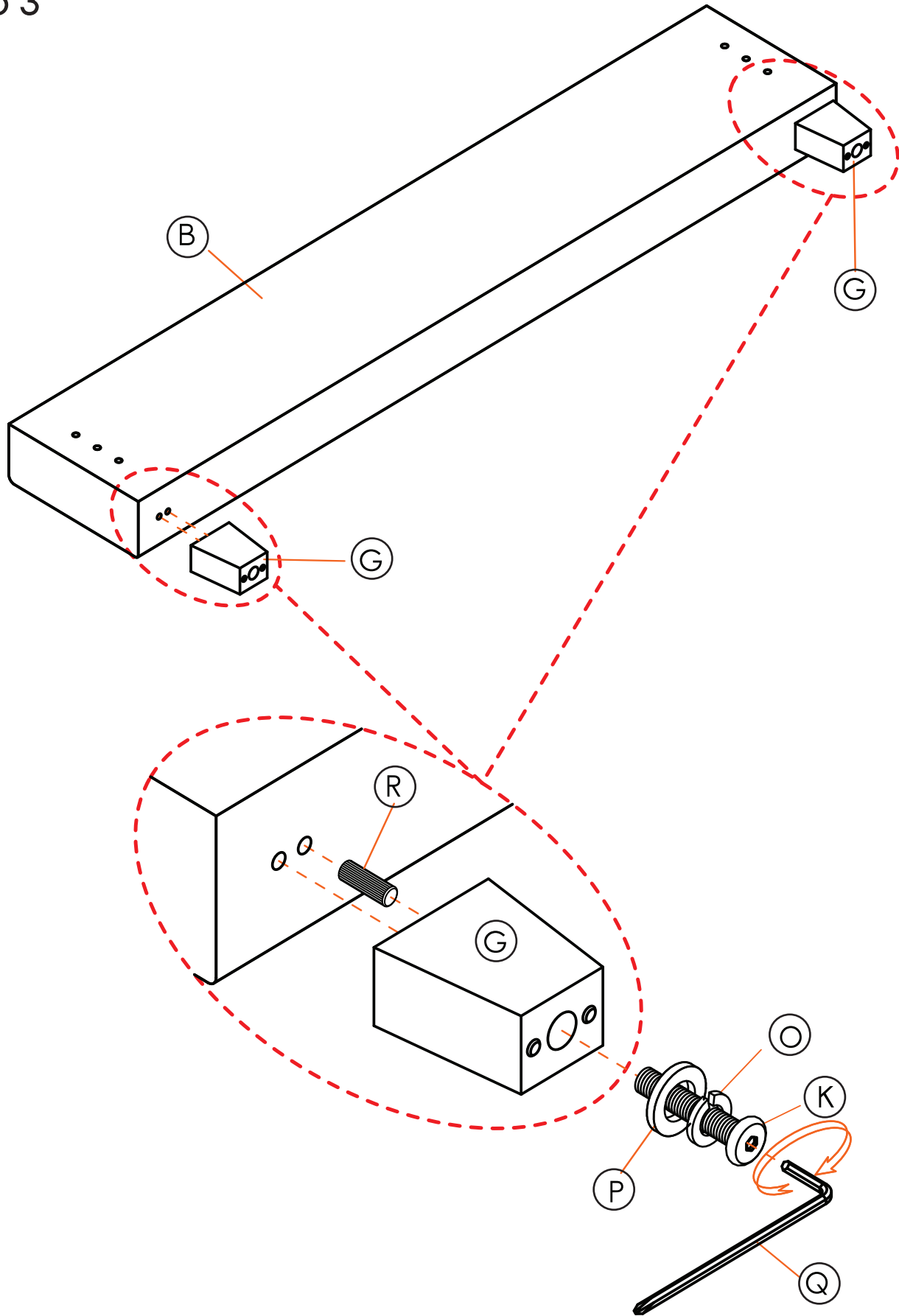
Step 1



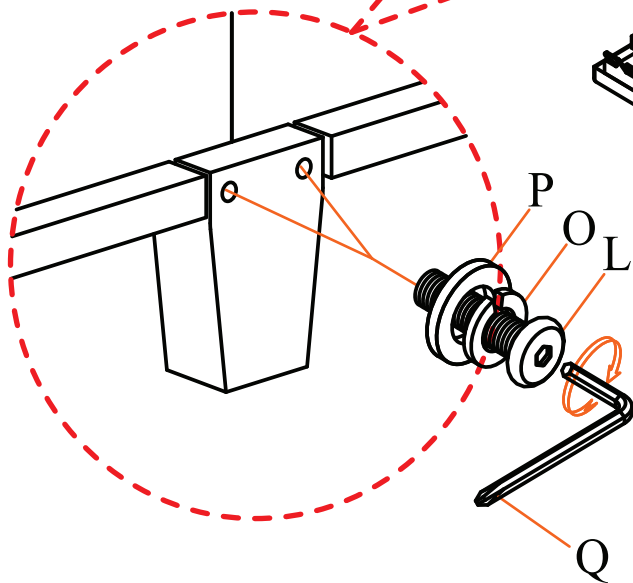
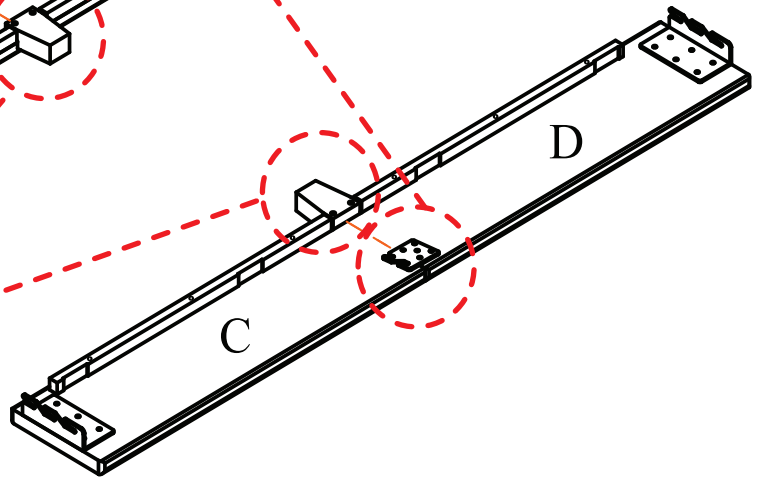
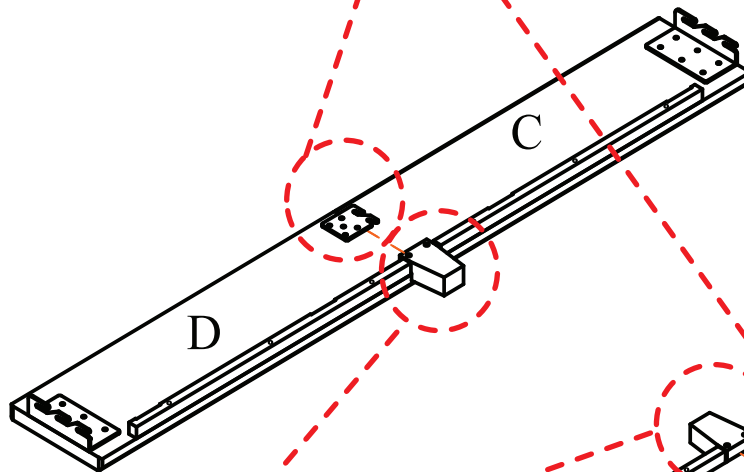
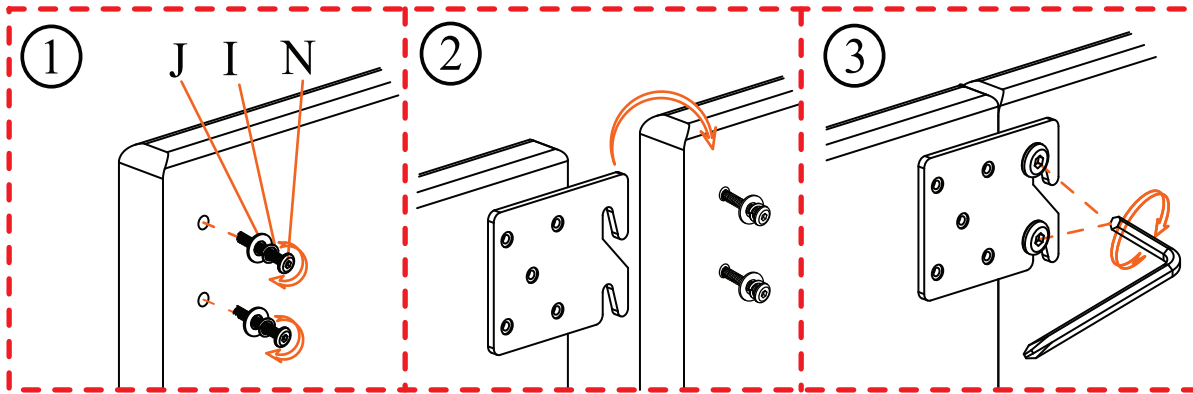
Step 2

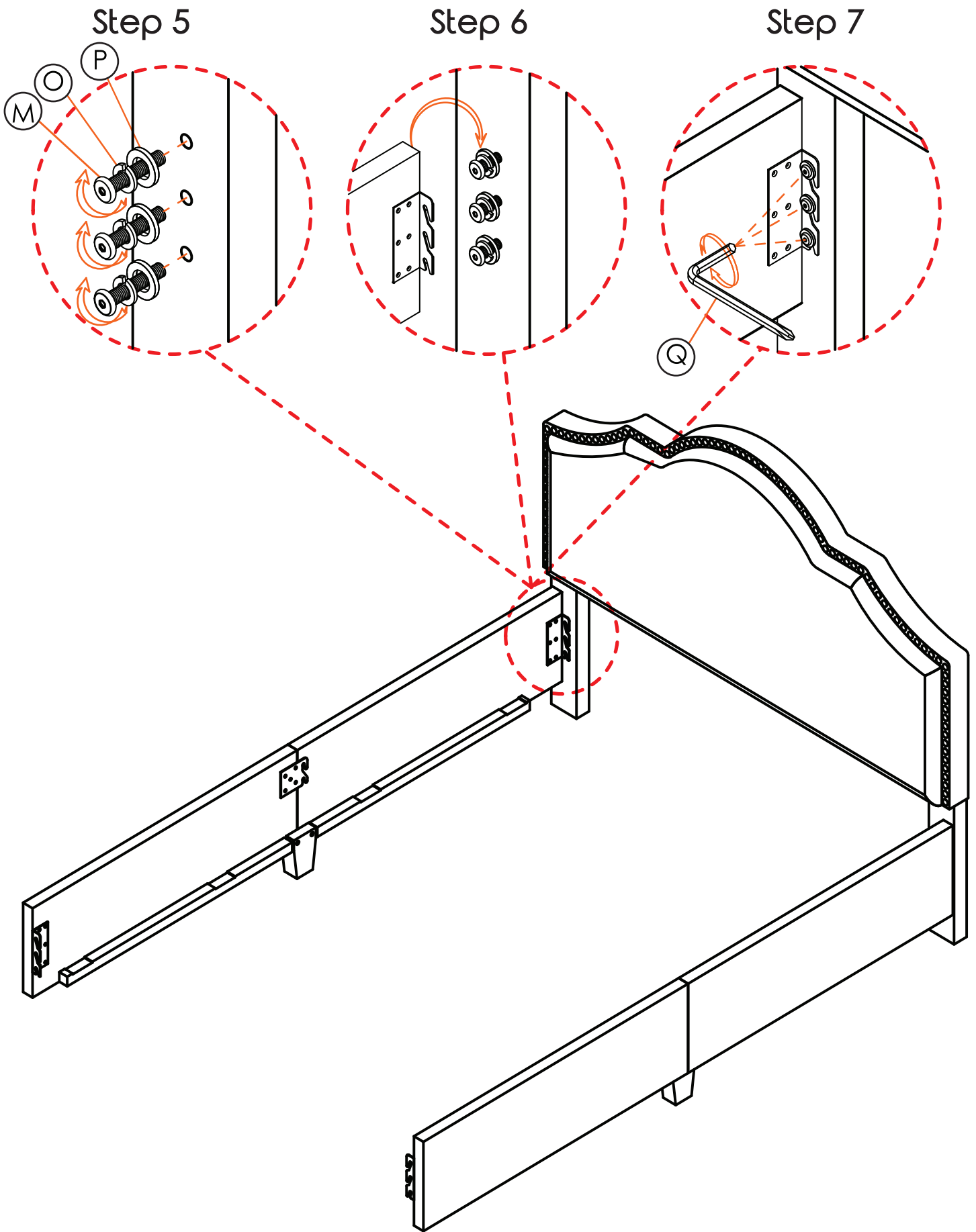


Step 3

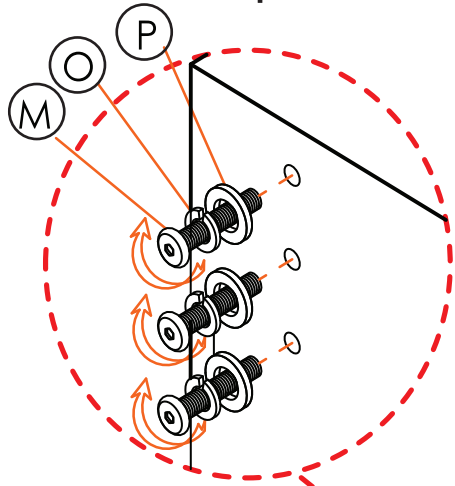


Step 4

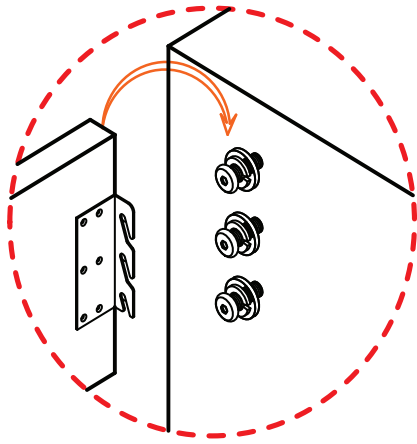




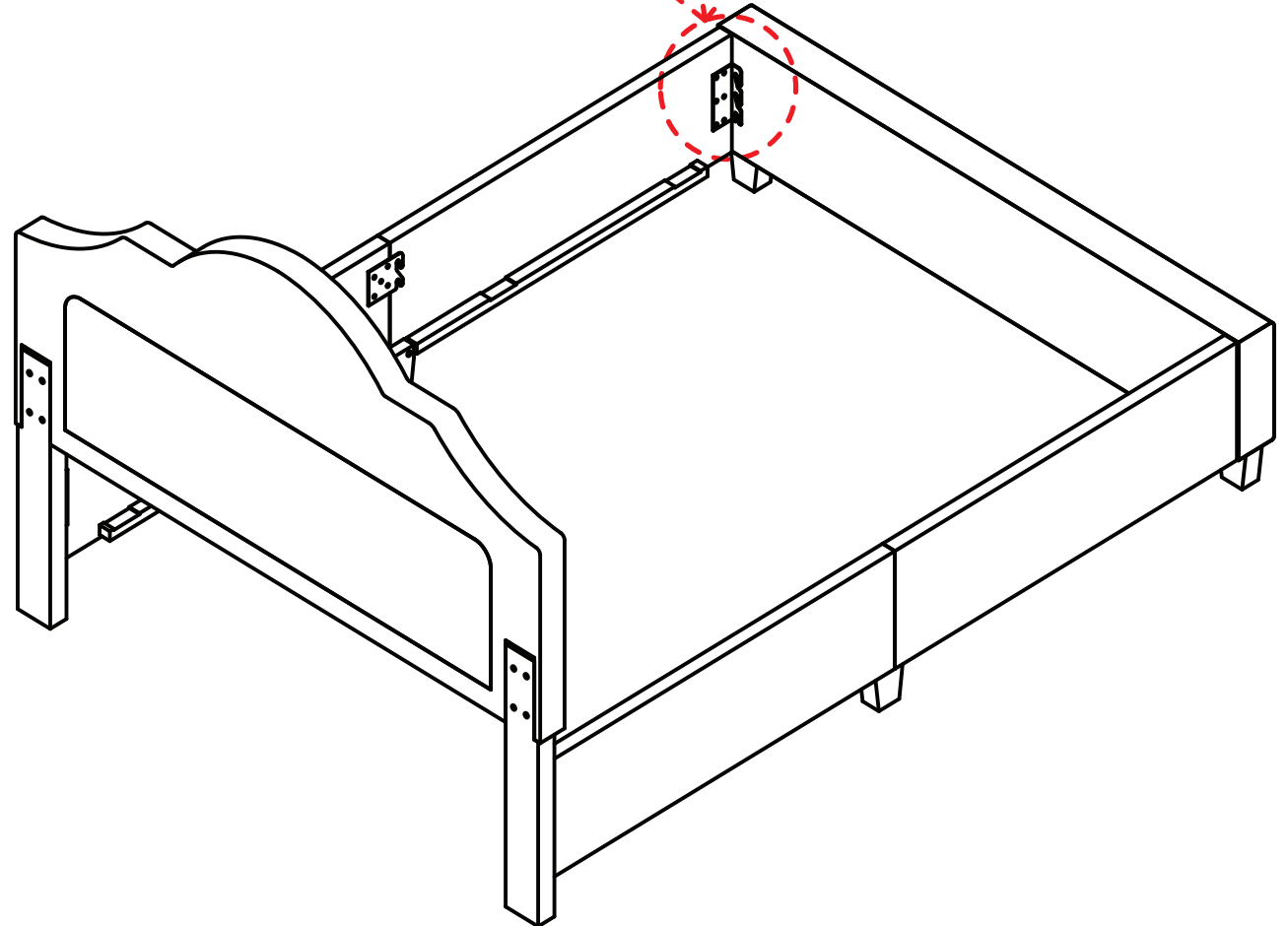
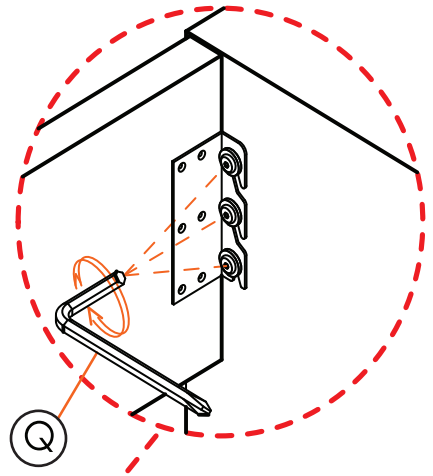
Step 8



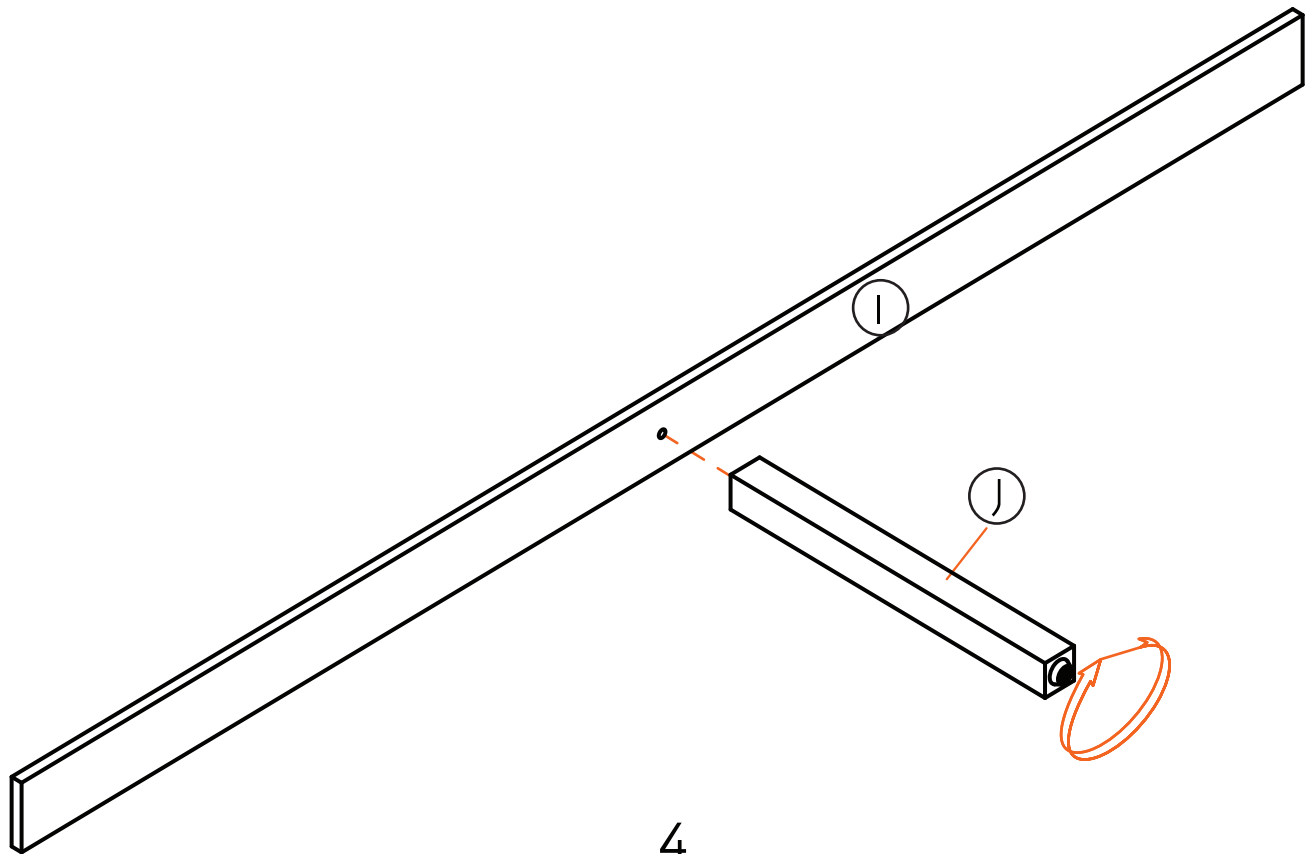
Step 9



Step 10



Step 11



4
sets

Step 12

