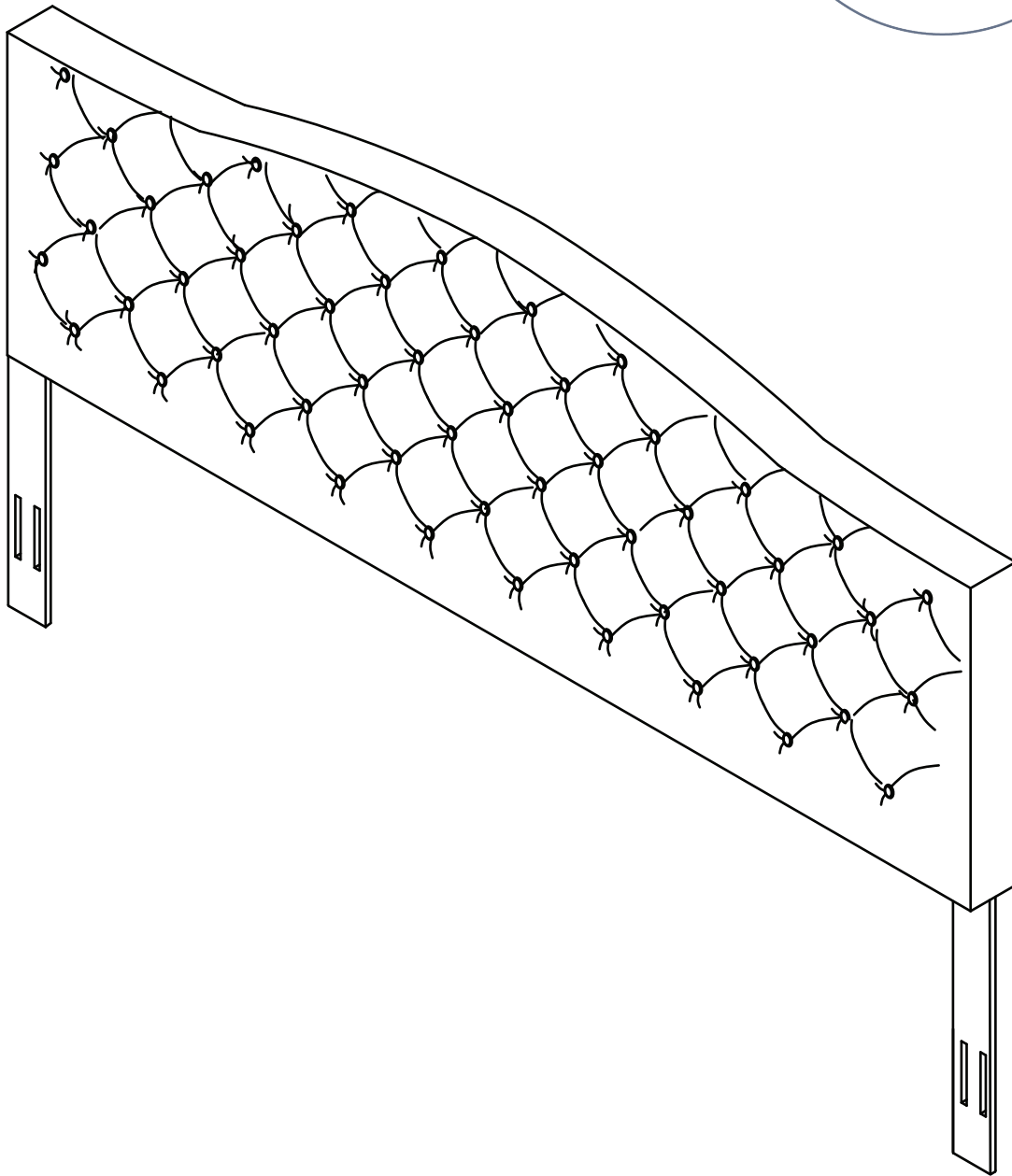

Assembly Manual

Upholstered Headboard and bench
Model Number: 0B216



THIS ASSEMBLY MANUAL CONTAINS IMPORTANT SAFETY INFORMATION.
PLEASE READ AND KEEP FOR FUTURE REFERENCE.

Questions or Comments?
We'd love to help with any questions or concerns.
Phone: 1-866-387-8065
Email: northridgehome@rsvpcomm.com
If you prefer, you may also contact us via our website:
www.northridge-home.com

Important Safety Information

- Please read all instructions carefully before assembling this furniture.
 - For your safety, assembly by two or more adults is strongly recommended.
 - Use only vendor-supplied hardware to assemble this item. Using unauthorized hardware could jeopardize the structural integrity of the item.
 - Hardware may loosen overtime. Periodically check that all connections are tight.
-

Before Assembly

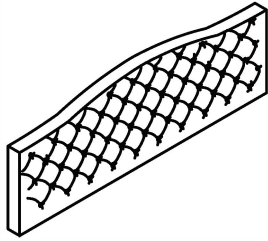
- Remove all parts and hardware from the box. Place all items on a carpeted or scratch-free work surface, as this will avoid damaging parts during assembly.
 - The shipping box provides an ideal work surface.
 - To avoid accidentally discarding small parts or hardware, do not dispose of any packaging or contents of the shipping carton until assembly is complete.
 - Use the parts and hardware lists below to identify and separate each of the pieces included.
 - The use of power tools for assembly is not recommended. Power tools can damage the hardware and/or split the wood.
 - Note: Do not fully tighten all bolts until all parts are in place. Failure to follow these instructions may cause the bolts to misalign during assembly.
-

Care and Cleaning

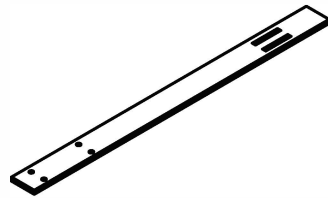
- Spot clean with upholstery shampoo foam from a mild detergent or mild dry cleaning.
 - Do not saturate with liquid.
 - Pile fabrics may require brushing to restore appearance.
-

Components

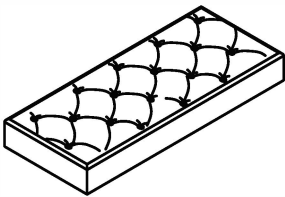
A x 1



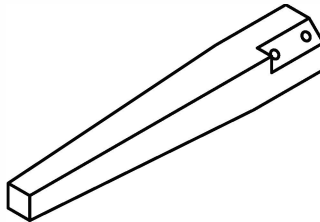
B x 2



C x 1



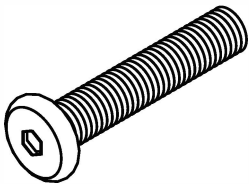
D x 4



E x 1



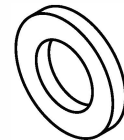
F x 16



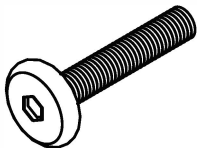
G x 16



H x 16



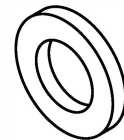
I x 4



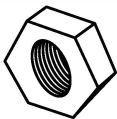
J x 4



K x 8



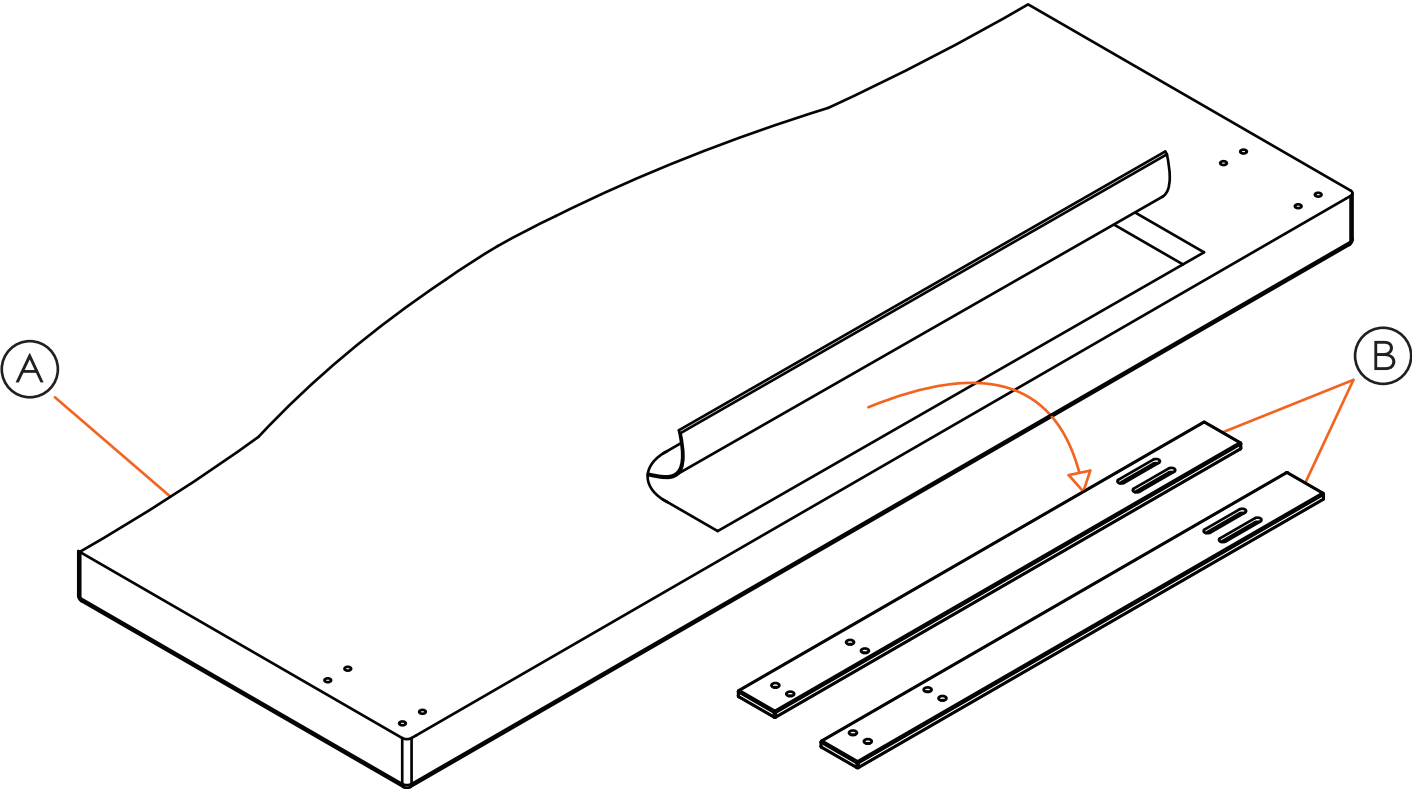
L x 4



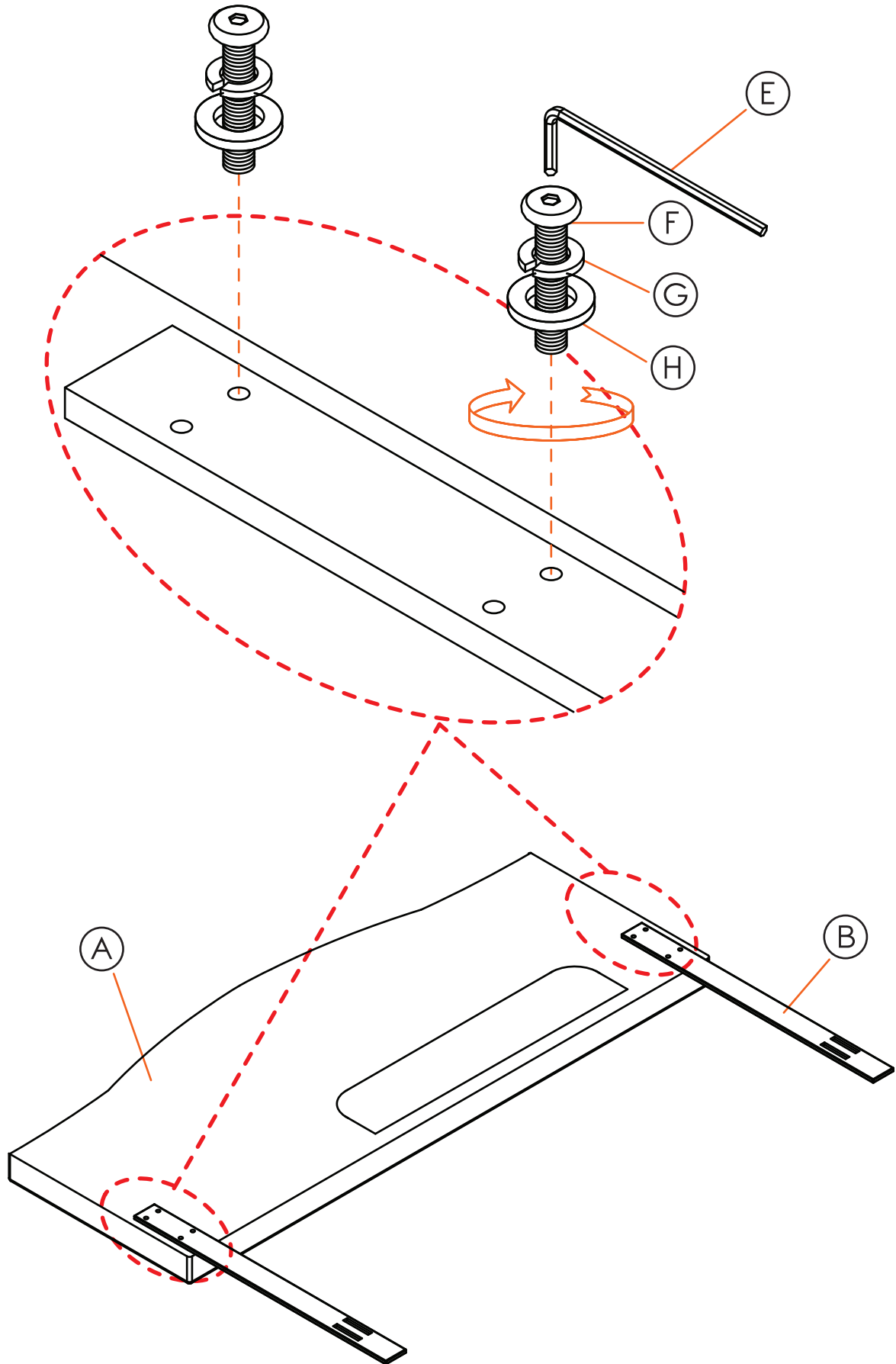
M x 1



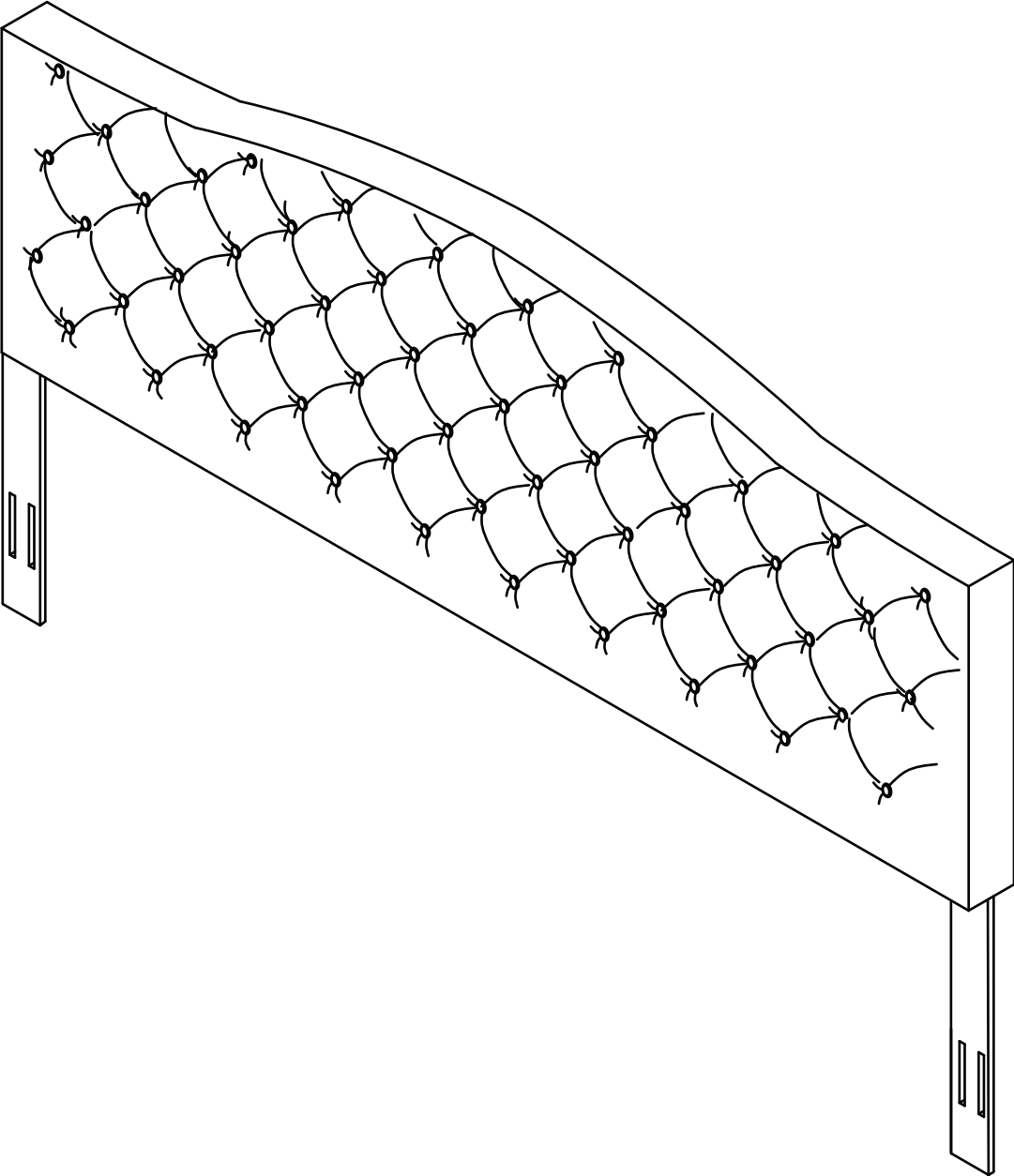
Step 1



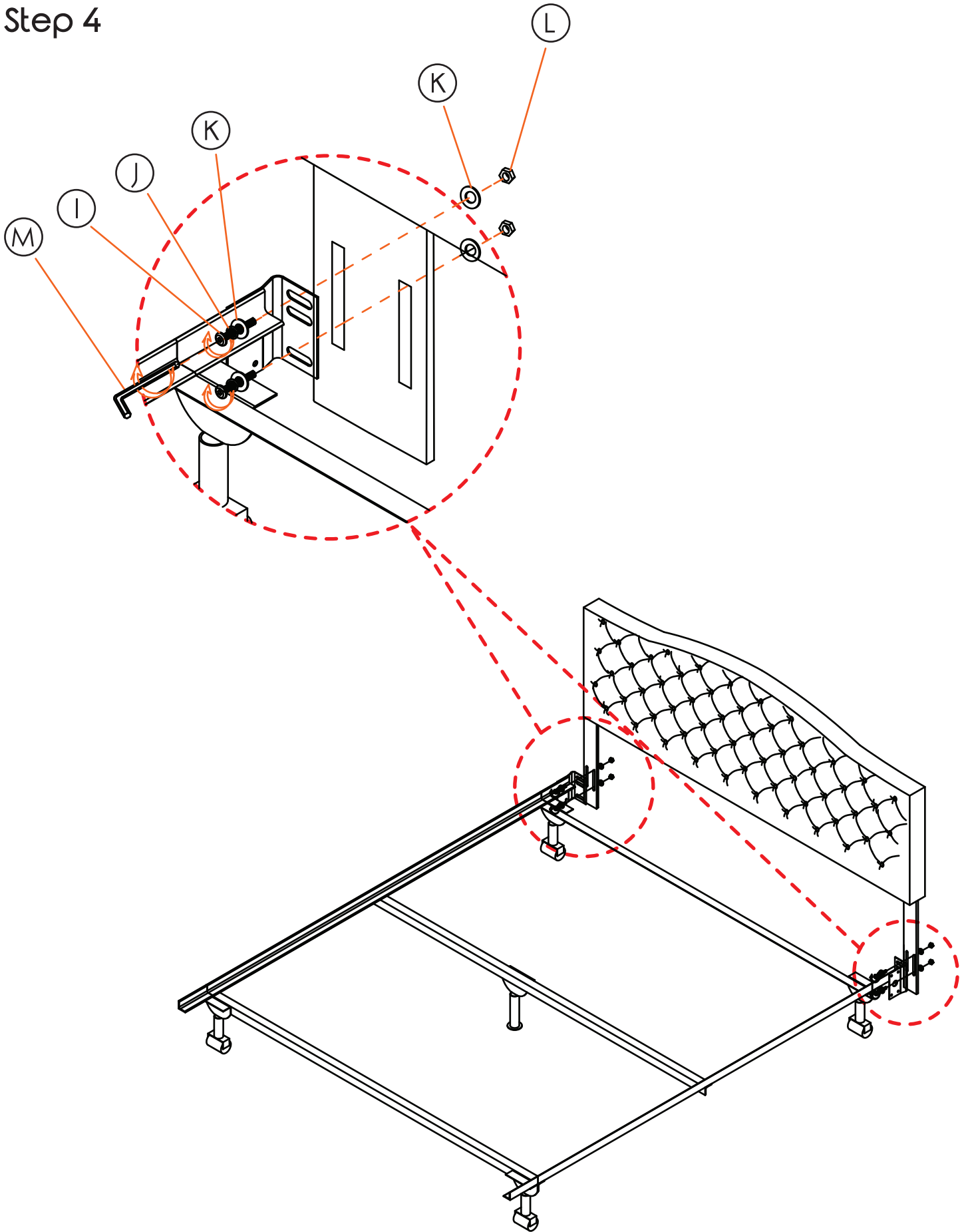
Step 2



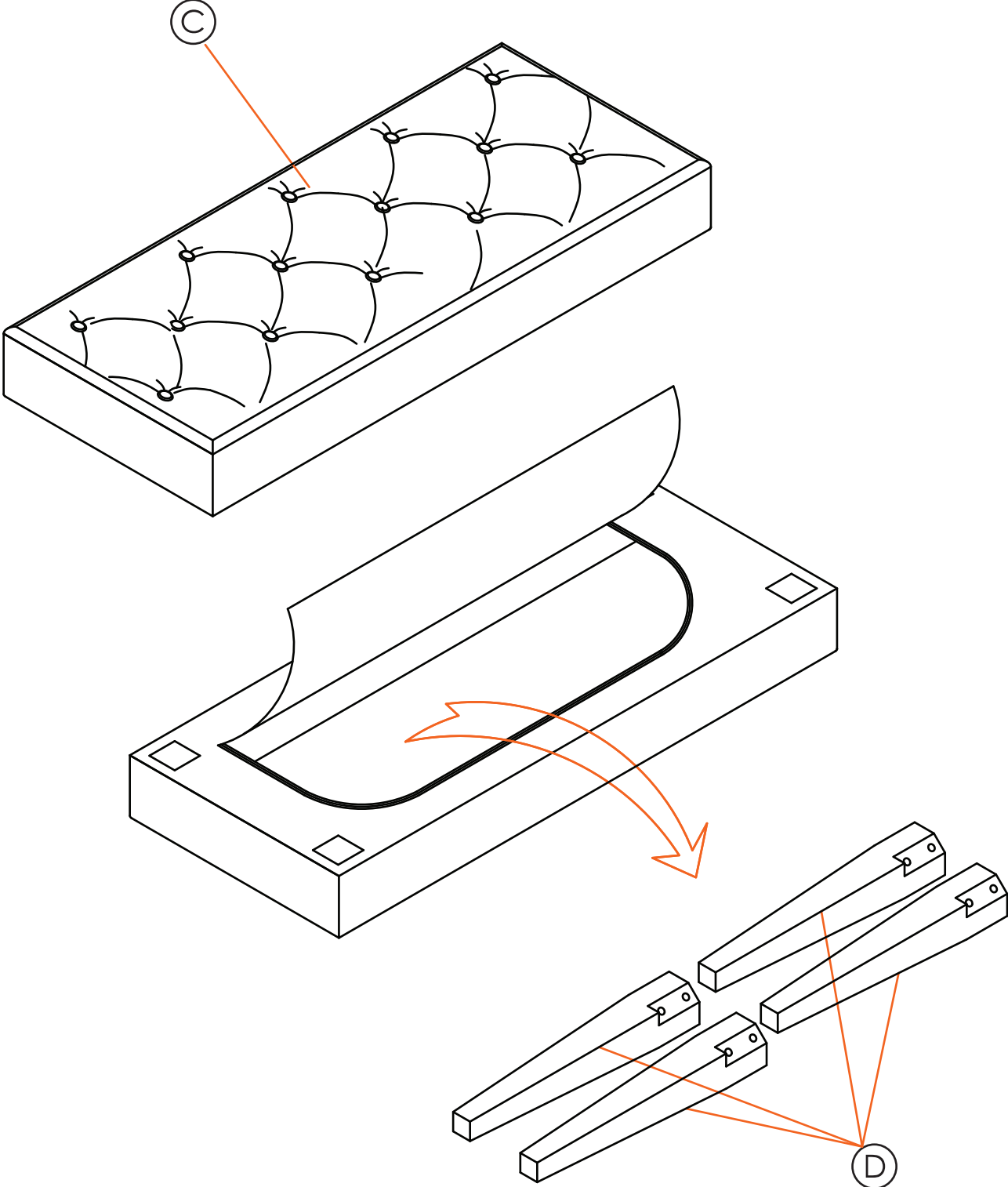
Step 3



Step 4



Step 5



Step 6

