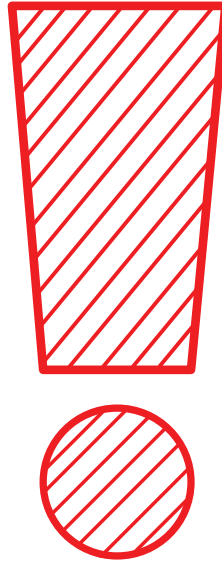


# Assembly Instructions

MFR# 9V318V30

Bathroom vanity



**IMPORTANT, RETAIN FOR FUTURE REFERENCE: READ CAREFULLY**  
For more information, visit: **[www.northridge-home.com](http://www.northridge-home.com)**

For parts or customer service call: **1-866-387-8065**

Or email: **[info@northridge-home.com](mailto:info@northridge-home.com)**

(English, French and Spanish languages spoken)

Monday-Friday 8am - 8pm (EST).

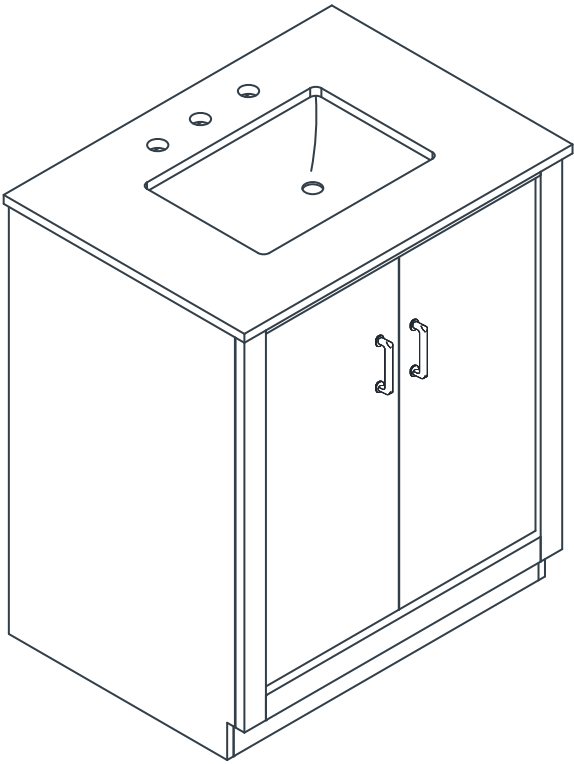
Telephone number is only valid in the United States and Canada.

**WARNING:** Small parts choking hazard

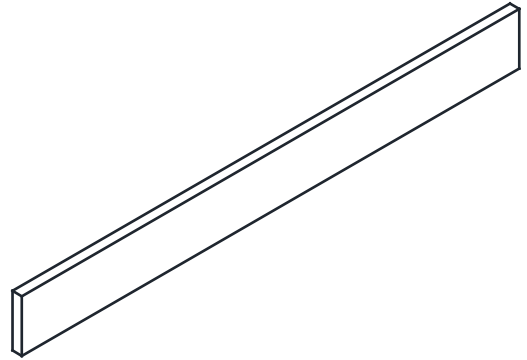
## Care & Cleaning

- Manufacturer recommends not to use any chemicals to clean this product. Use only soft, damp cloth for cleaning
- Vanity is for indoor use only; Temperature and humidity should be regulated
- Avoid direct sunlight as it can cause fading
- Countertop spills should be cleaned up immediately with a soft cloth and warm water. Be careful not to spill or use any acidic or caustic substances or any petroleum-based product.

A x 1



B x 1



Installation requires thin-set adhesive for backsplash (not included)

Touch-up Pen

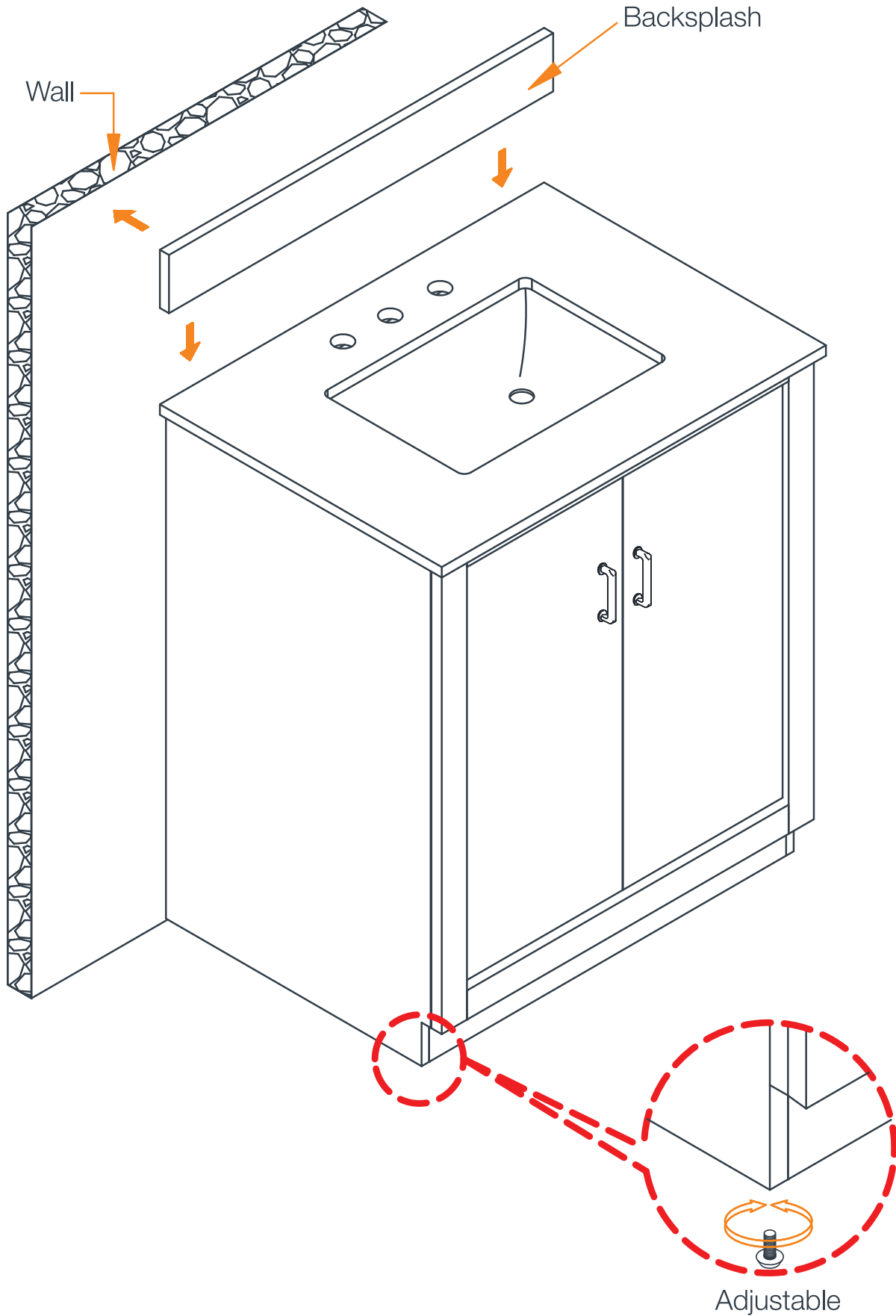


**NOTE:** It is suggested that this product be installed by a professional and be permanently attached to the wall. Not intended to be a free-standing unit.

Tools needed (not included)

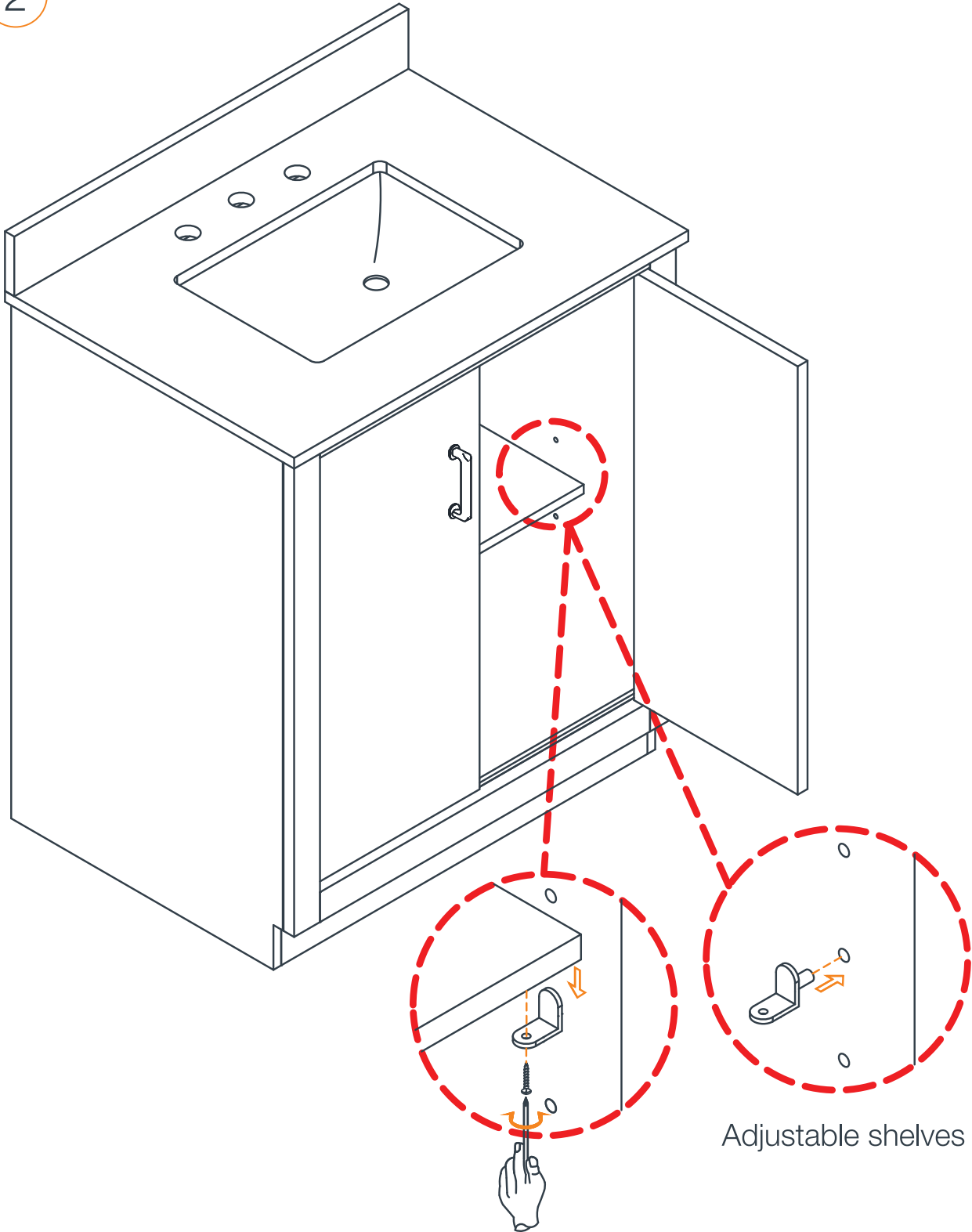


1



For application of backsplash (B) to drywall: Make sure the wall is smooth and flat. Clean the wall and the back of the backsplash (B) with damp cloth to remove any grease or debris. Apply thin-set adhesive, and then set the backsplash (B).

2



To adjust the shelves, follow the below steps:

1. Remove the screws from the Adjustable Shelf.
2. Reposition the Shelf Pins into the desired position.
3. Place the Adjustable Shelf back onto the Shelf Pins.

3

Uneven floor may cause doors to put wrong location. Please place the vanity on a leveled flat surface or adjust the levelers at the bottom to ensure that it is perfectly leveled. If necessary, you can also adjust the doors with a Philips screwdriver when the below adjustable hinge is installed on your product.

KK: To adjust door left or right.

LL: To adjust door forward or backward.

JJ: To adjust door up or down.

