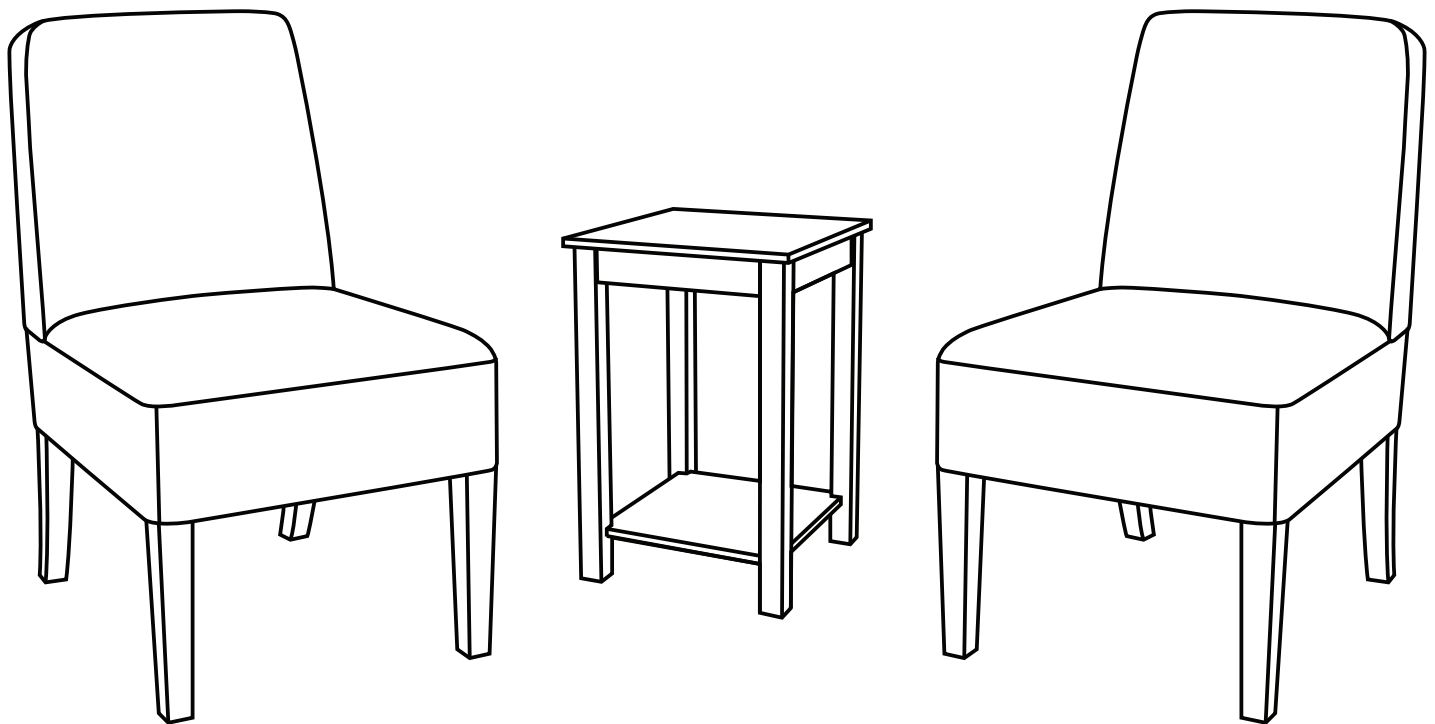

Assembly Manual

3 Piece Chair & Table Set

Model Number: 0S238

Item Number: 265410



THIS ASSEMBLY MANUAL CONTAINS IMPORTANT SAFETY INFORMATION.
PLEASE READ AND KEEP FOR FUTURE REFERENCE.

Questions or Comments?
We'd love to help with any questions or concerns.
Phone: 1-866-387-8065
Email: info@northridge-home.com
If you prefer, you may also contact us via our website:
www.northridge-home.com

Important Safety Information

- Please read all instructions carefully before assembling this furniture.
 - For your safety, assembly by two or more adults is strongly recommended.
 - Use only vendor-supplied hardware to assemble this item. Using unauthorized hardware could jeopardize the structural integrity of the item.
 - Hardware may loosen overtime. Periodically check that all connections are tight.
-

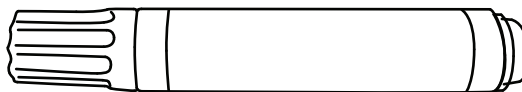
Before Assembly

- Remove all parts and hardware from the box. Place all items on a carpeted or scratch-free work surface, as this will avoid damaging parts during assembly.
 - The shipping box provides an ideal work surface.
 - To avoid accidentally discarding small parts or hardware, do not dispose of any packaging or contents of the shipping carton until assembly is complete.
 - Use the parts and hardware lists below to identify and separate each of the pieces included.
 - The use of power tools for assembly is not recommended. Power tools can damage the hardware and/or split the wood.
 - Note: Do not fully tighten all bolts until all parts are in place. Failure to follow these instructions may cause the bolts to misalign during assembly.
-

Care and Cleaning

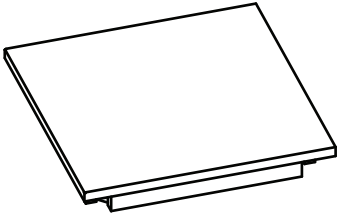
- Spot clean with upholstery shampoo foam from a mild detergent or mild dry cleaning.
 - Do not saturate with liquid.
 - Pile fabrics may require brushing to restore appearance.
-

Touch-up Pen

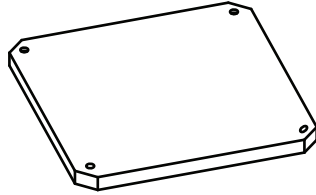


Components

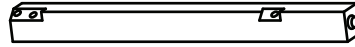
A x 1*



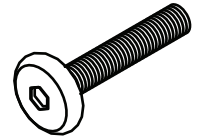
B x 1*



C x 4*



D x 8*



1/4"x45mm

E x 8*



1/4"x15mm

F x 16*



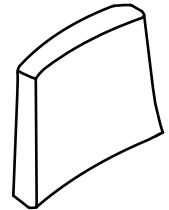
1/4"

G x 16*

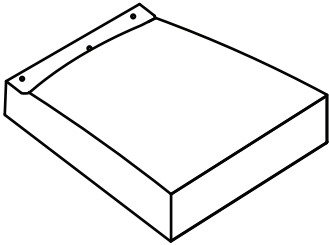


1/4"

H x 2*



I x 2*



J x 2*



K x 2*



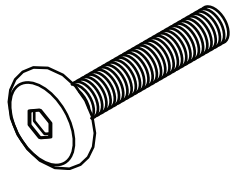
L x 2*



M x 2*

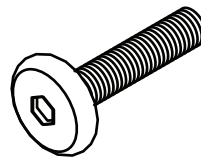


N x 6*



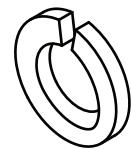
5/16"x60mm

O x 16*



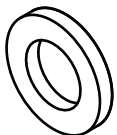
5/16"x45mm

P x 22*



5/16"

Q x 22*



5/16"

R x 1*



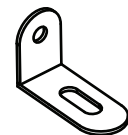
5/16"

S x 1*

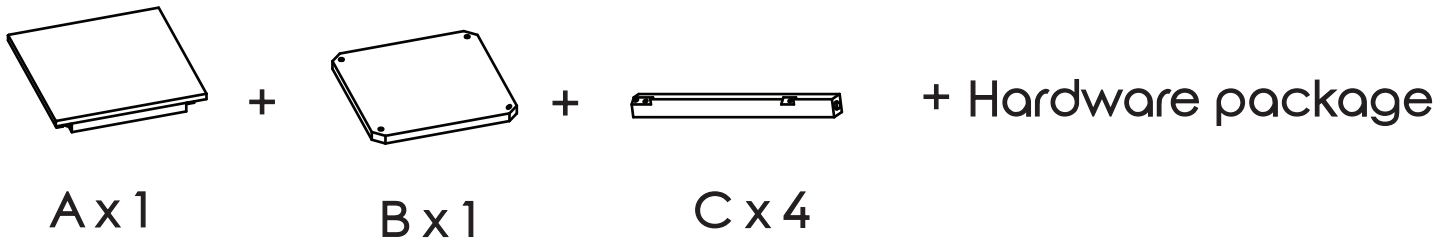
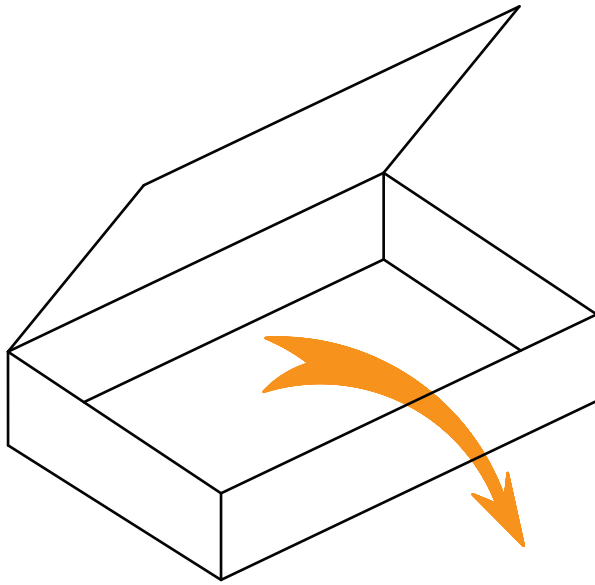


1/4"

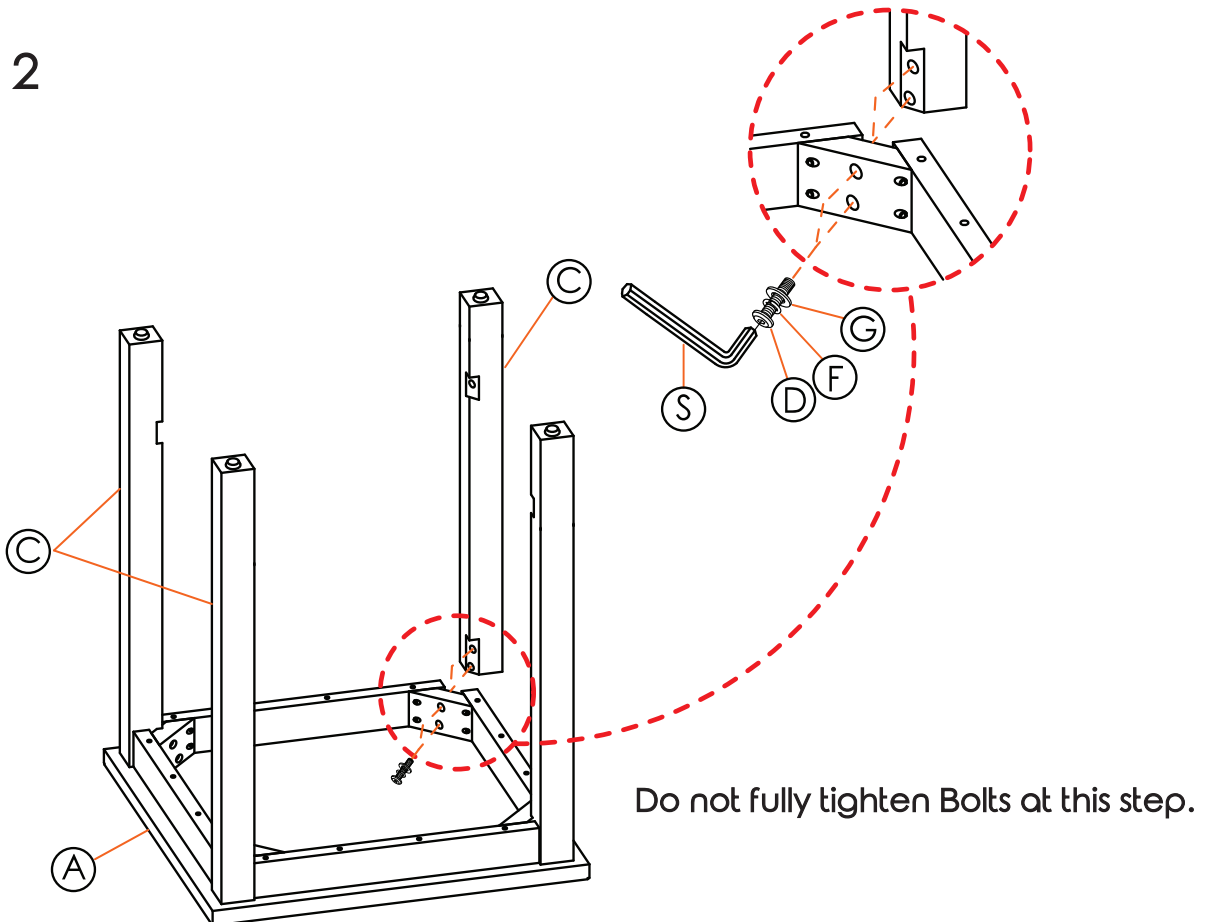
T x 4*



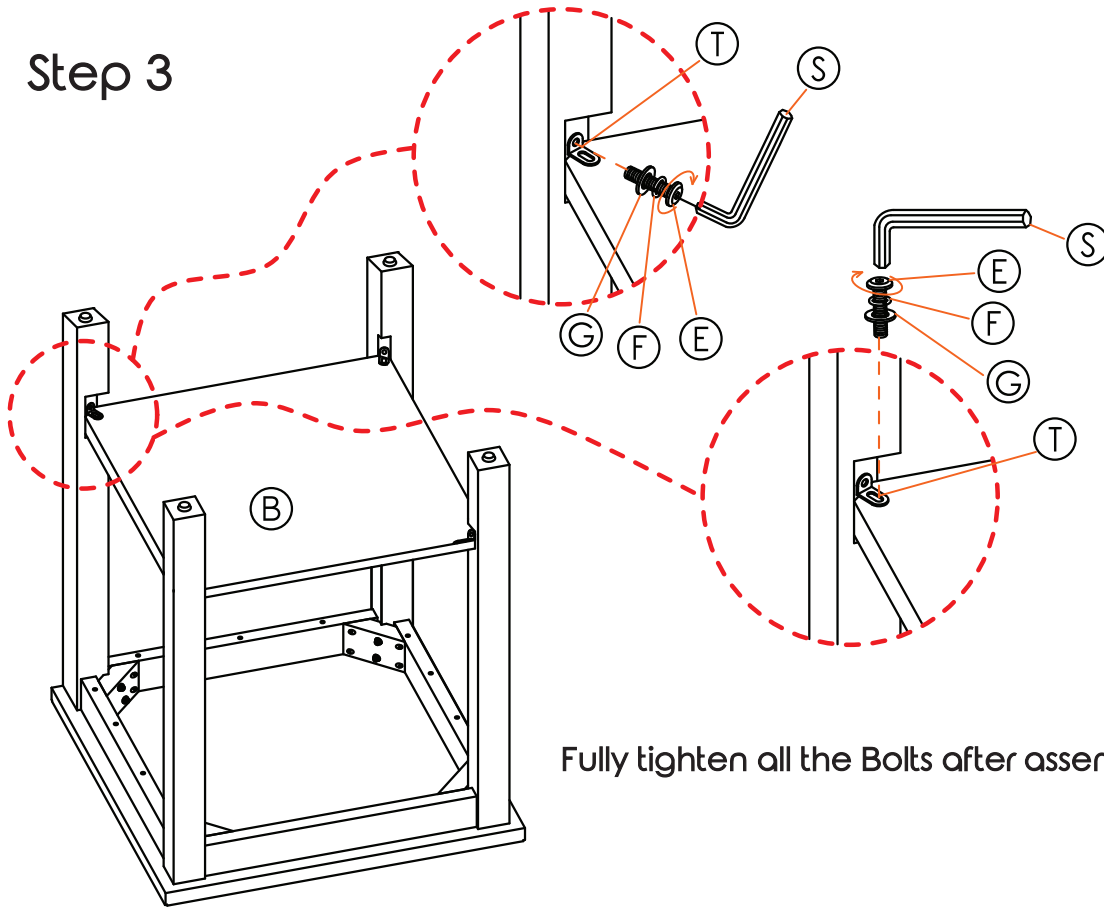
Step 1



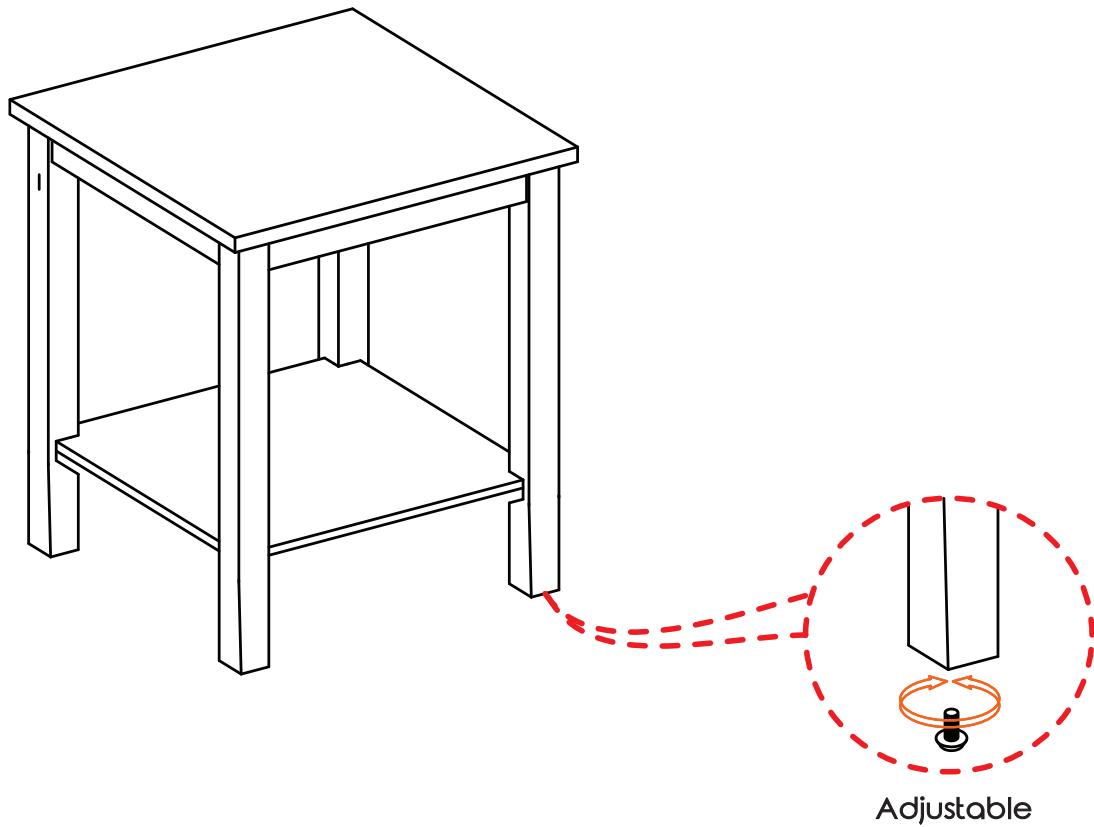
Step 2



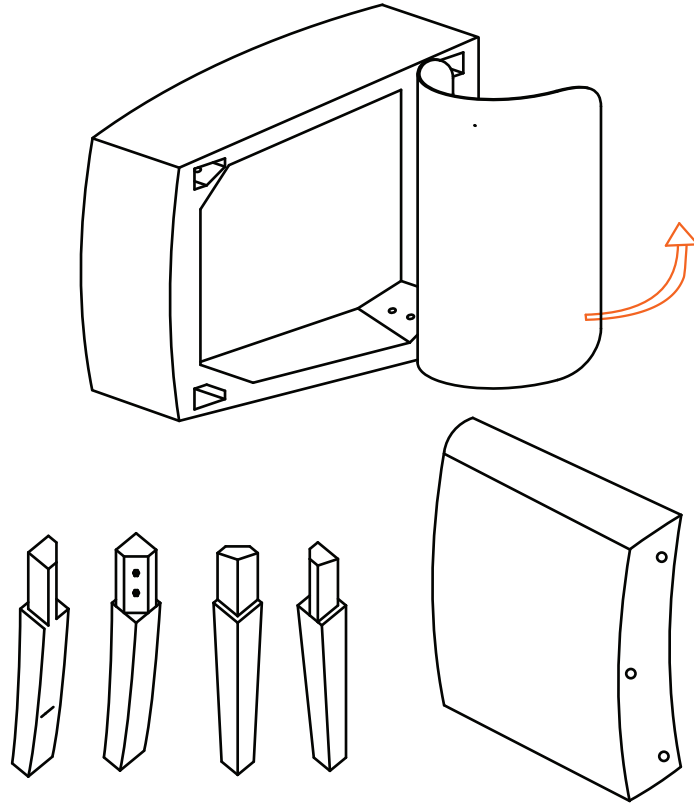
Step 3



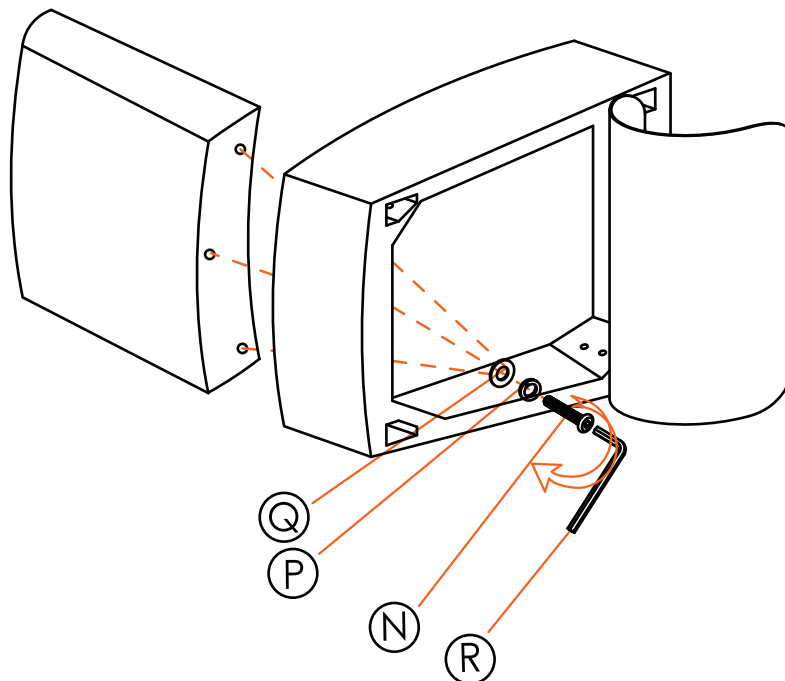
Step 4



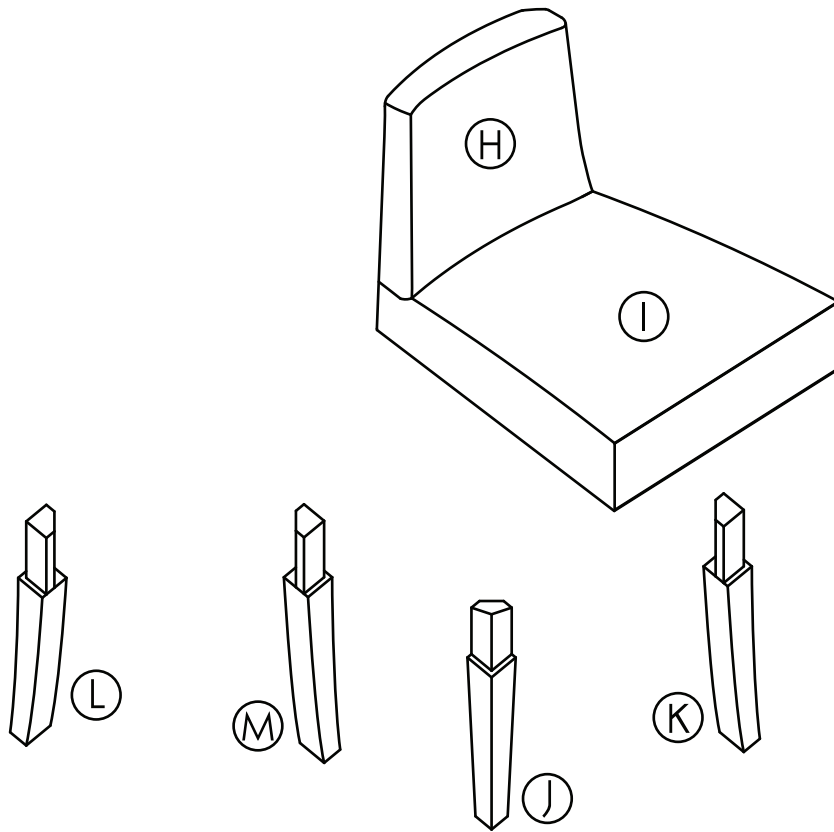
Step 5



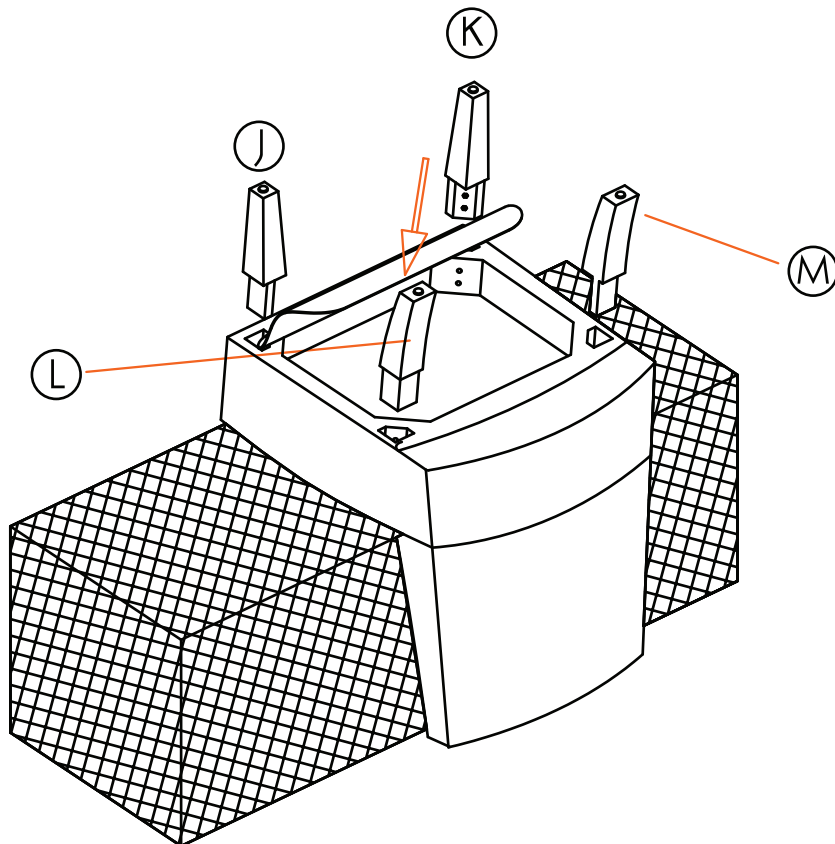
Step 6



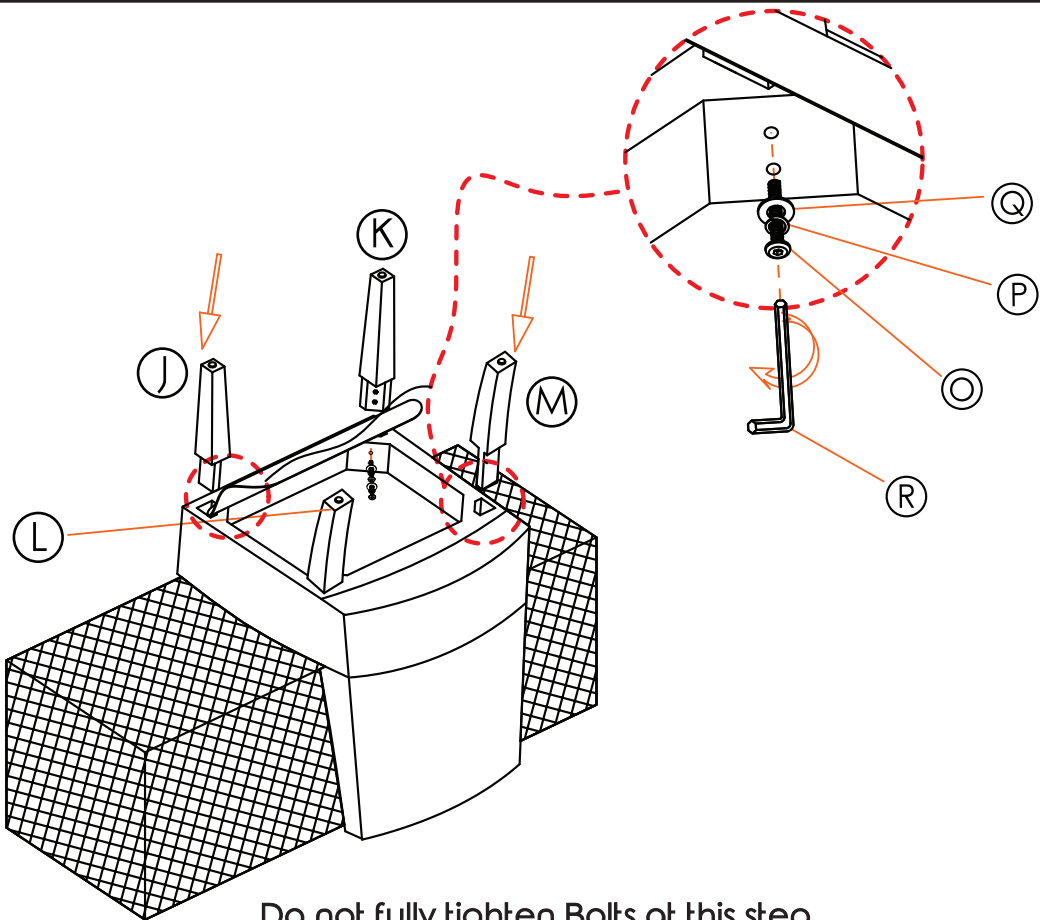
Step 7



Step 8

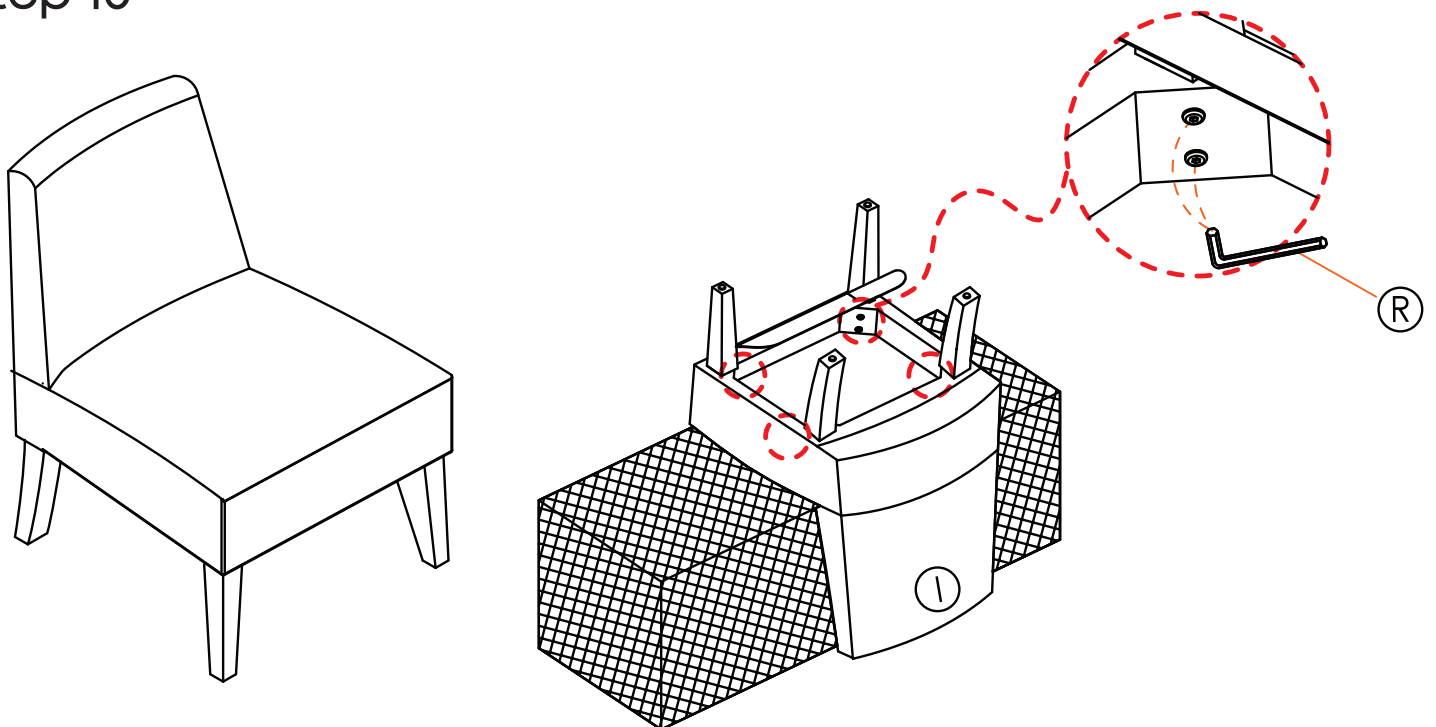


Step 9



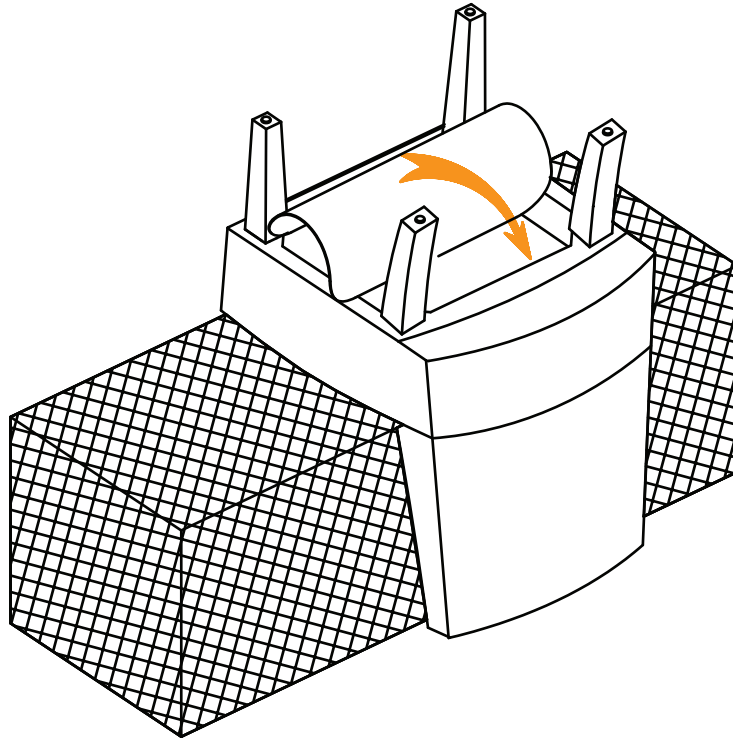
Do not fully tighten Bolts at this step.

Step 10

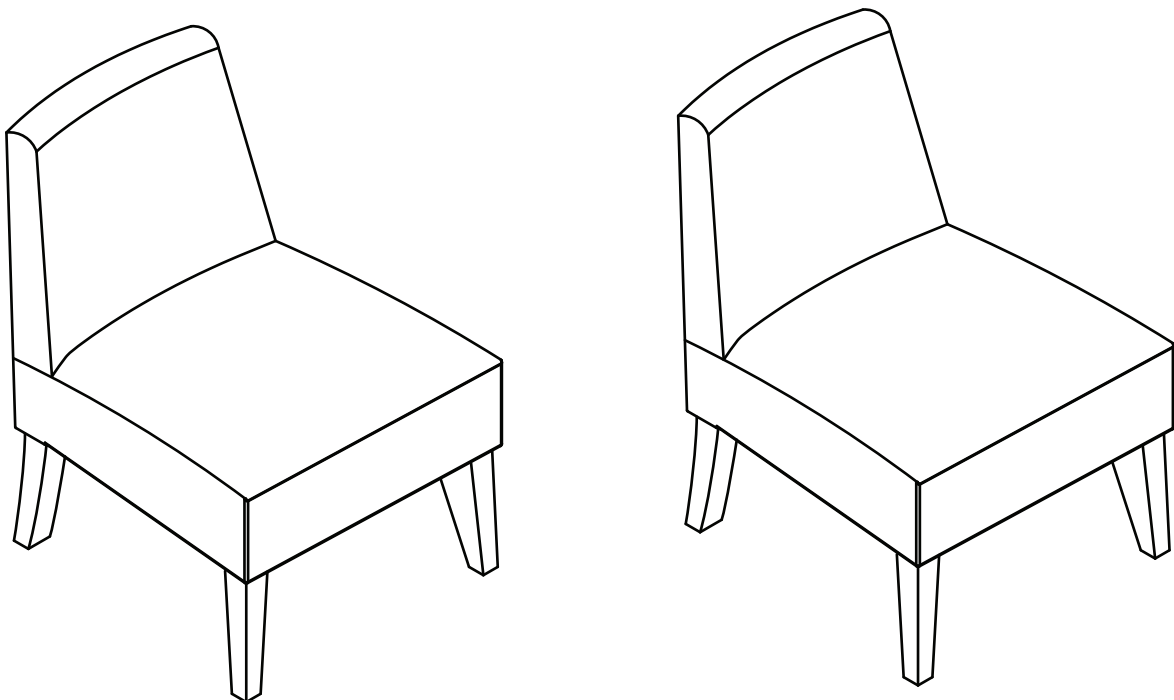


Make sure the chair feet are level, then fully tighten all the bolts at this step;

Step 11



Step 12



Chair :2 pcs