

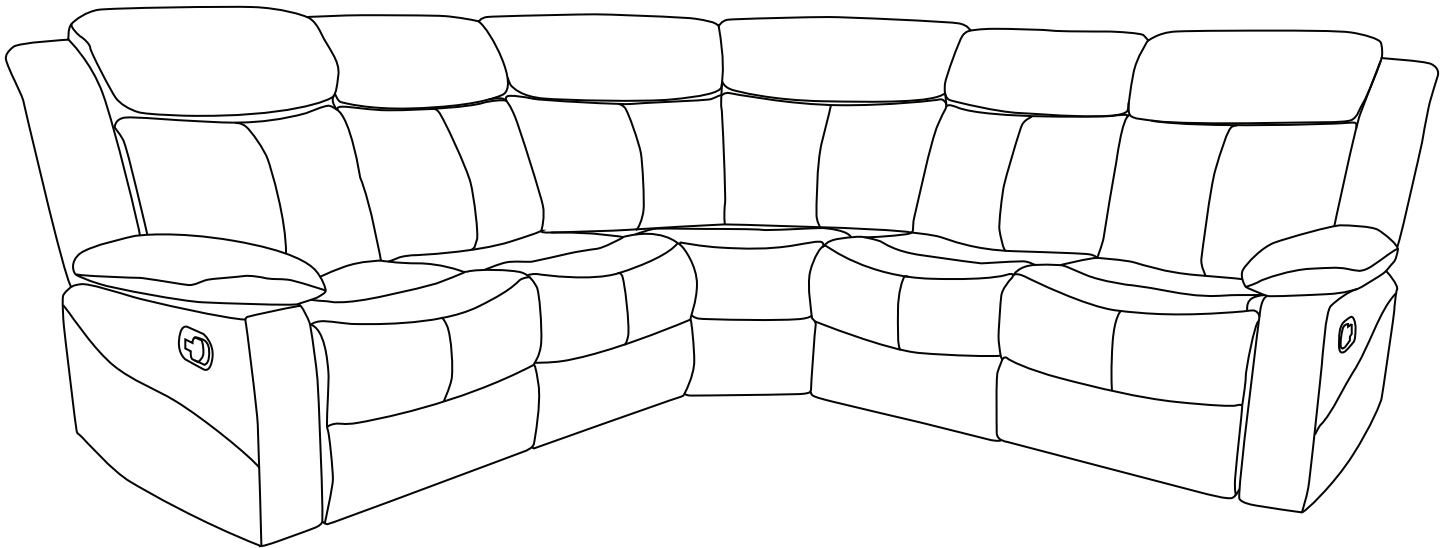
---

# Assembly Manual

Reclining Sectional

Model Number: 0MX00U5

Item Number: 265613



THIS ASSEMBLY MANUAL CONTAINS IMPORTANT SAFETY INFORMATION.  
PLEASE READ AND KEEP FOR FUTURE REFERENCE.

---

---

**Questions or Comments?**  
We'd love to help with any questions or concerns.  
Phone: 1-866-387-8065  
Email: [info@northridge-home.com](mailto:info@northridge-home.com)  
If you prefer, you may also contact us via our website:  
[www.northridge-home.com](http://www.northridge-home.com)

---

## Important Safety Information

- Please read all instructions carefully before assembling this furniture.
  - For your safety, assembly by two or more adults is strongly recommended.
  - Use only vendor-supplied hardware to assemble this item. Using unauthorized hardware could jeopardize the structural integrity of the item.
  - Hardware may loosen overtime. Periodically check that all connections are tight.
- 

## Before Assembly

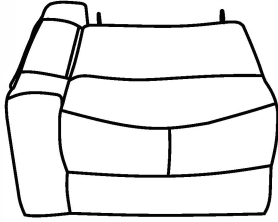
- Remove all parts and hardware from the box. Place all items on a carpeted or scratch-free work surface, as this will avoid damaging parts during assembly.
  - The shipping box provides an ideal work surface.
  - To avoid accidentally discarding small parts or hardware, do not dispose of any packaging or contents of the shipping carton until assembly is complete.
  - Use the parts and hardware lists below to identify and separate each of the pieces included.
  - The use of power tools for assembly is not recommended. Power tools can damage the hardware and/or split the wood.
  - Note: Do not fully tighten all bolts until all parts are in place. Failure to follow these instructions may cause the bolts to misalign during assembly.
- 

## Care and Cleaning

- Spot clean with upholstery shampoo foam from a mild detergent or mild dry cleaning.
  - Do not saturate with liquid.
  - Pile fabrics may require brushing to restore appearance.
- 
-

# Components

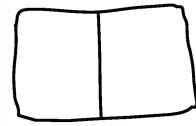
A1 x 1\*



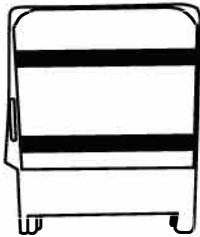
A2 x 2\*



A3 x 2\*



A4 x 1\*



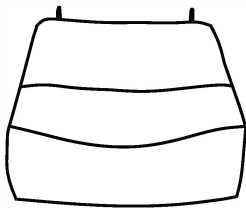
A5 x 1\*



A6 x 1\*



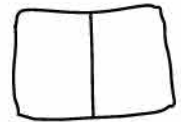
B1 x 1\*



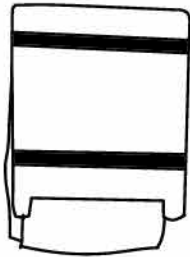
B2 x 2\*



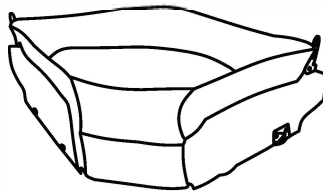
B3 x 2\*



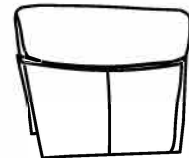
B4 x 2\*



C1 x 1\*



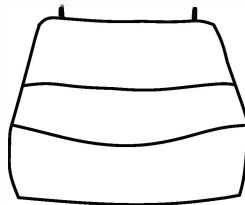
C2 x 2\* & C3 x 2\*



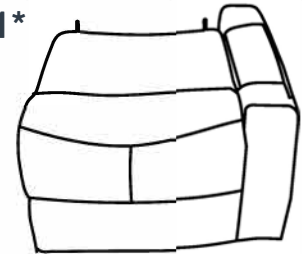
C4 x 2\*



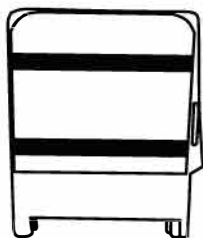
D1 x 1\*



E1 x 1\*



E4 x 1\*



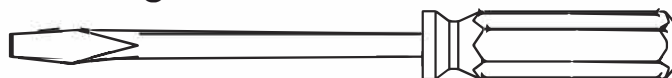
E5 x 1\*



E6 x 1\*



Tools Needed for removing the back



\*Replacement Part

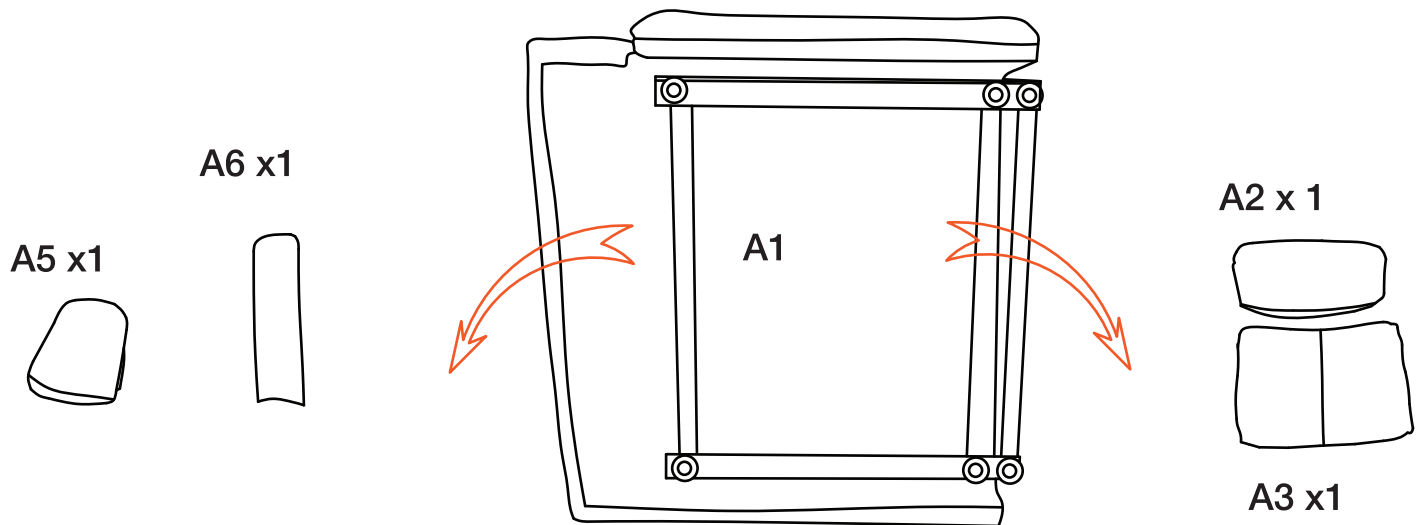
Flat Head Screwdriver (Not provided)

Questions or Comments? Call us at 1-866-387-8065 or email: [info@northridge-home.com](mailto:info@northridge-home.com)

---

## Step 1 - Seat A

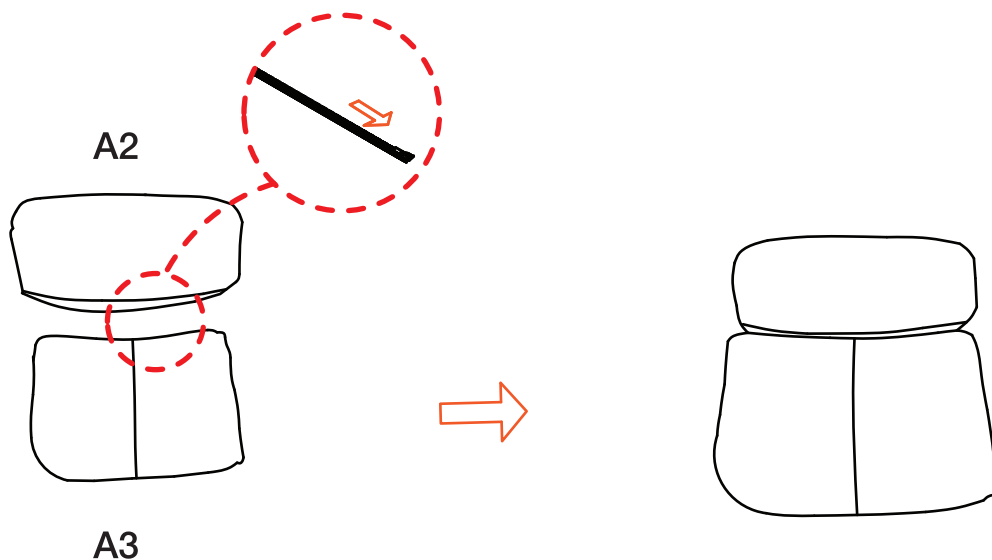
Take out cushion at the bottom of seat base



---

## Step 2 - Seat A

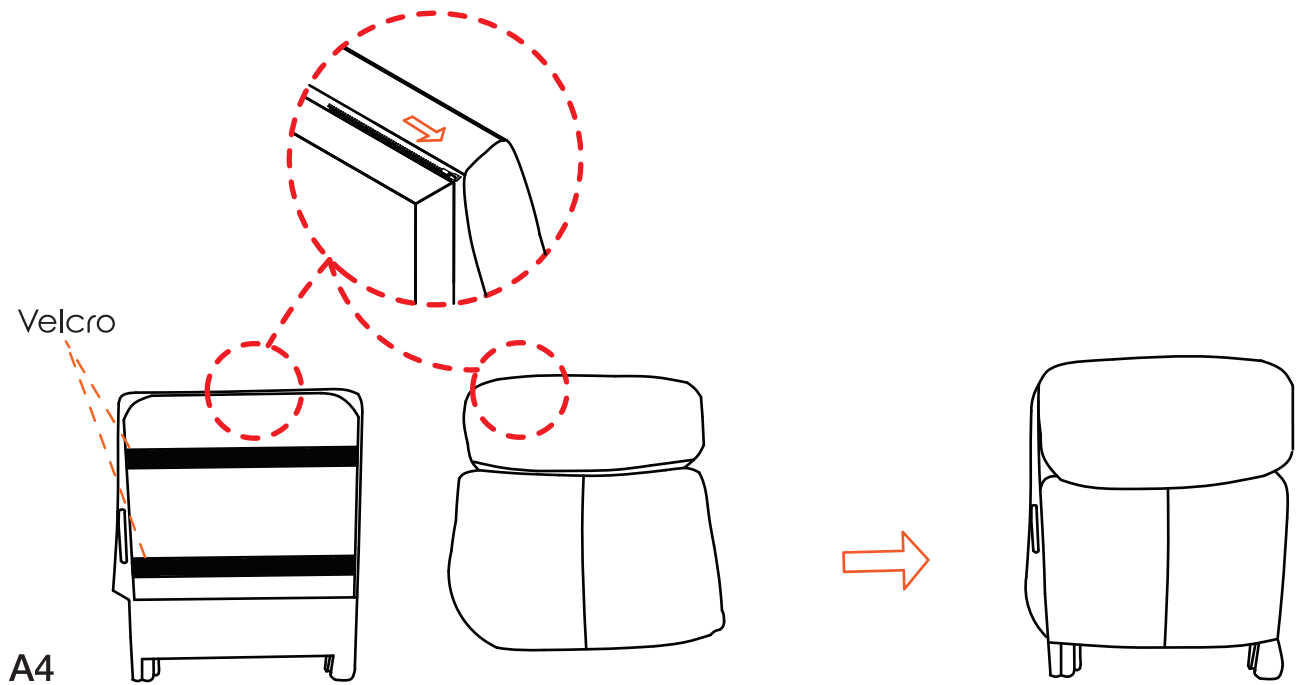
Assemble upper cushion and lower cushion together



---

## Step 3 - Seat A

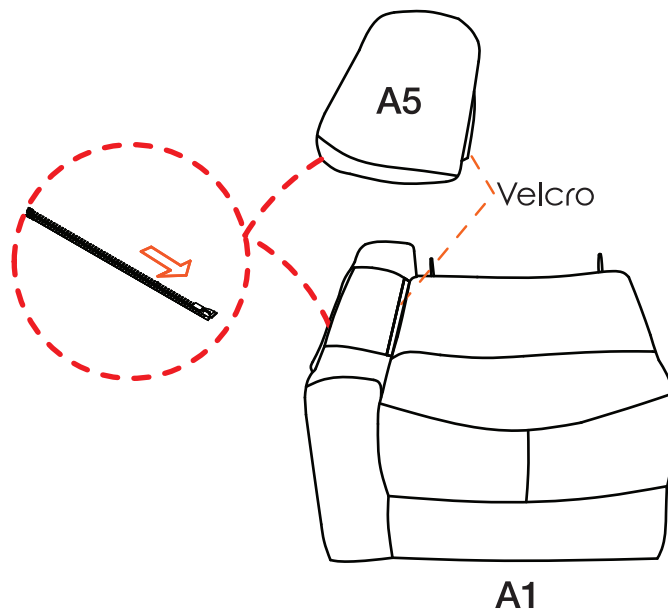
Attach the back cushion to back frame



---

## Step 4 - Seat A

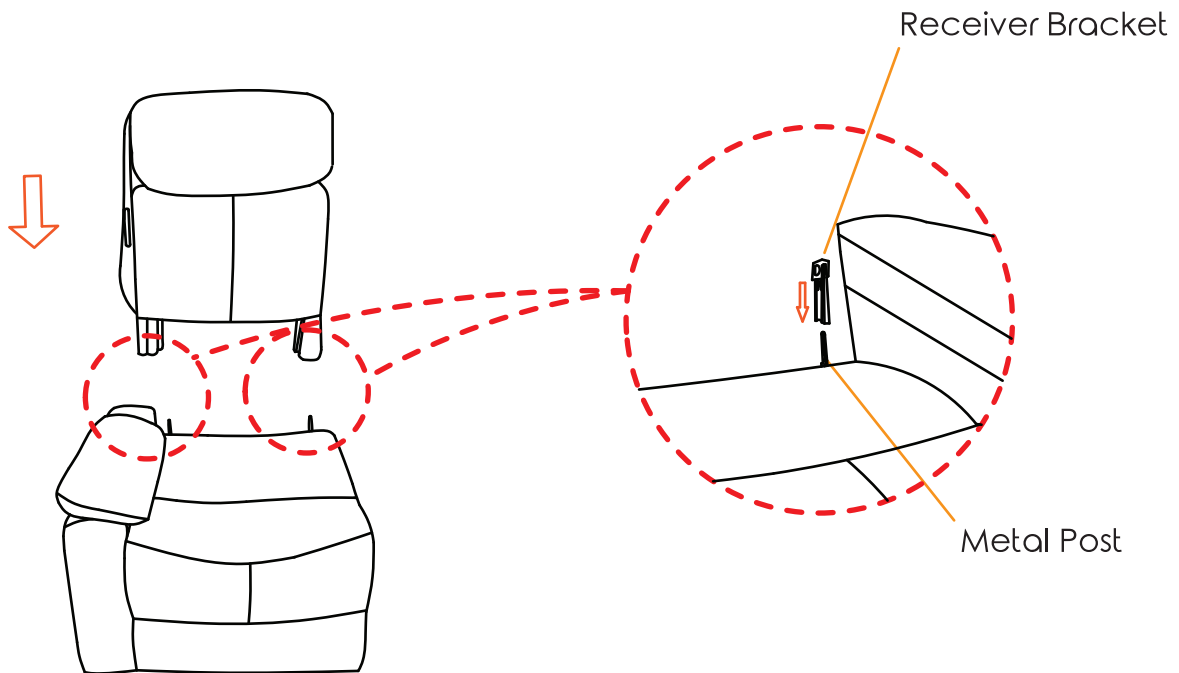
Attach arm pad to seat base



---

## Step 5 - Seat A

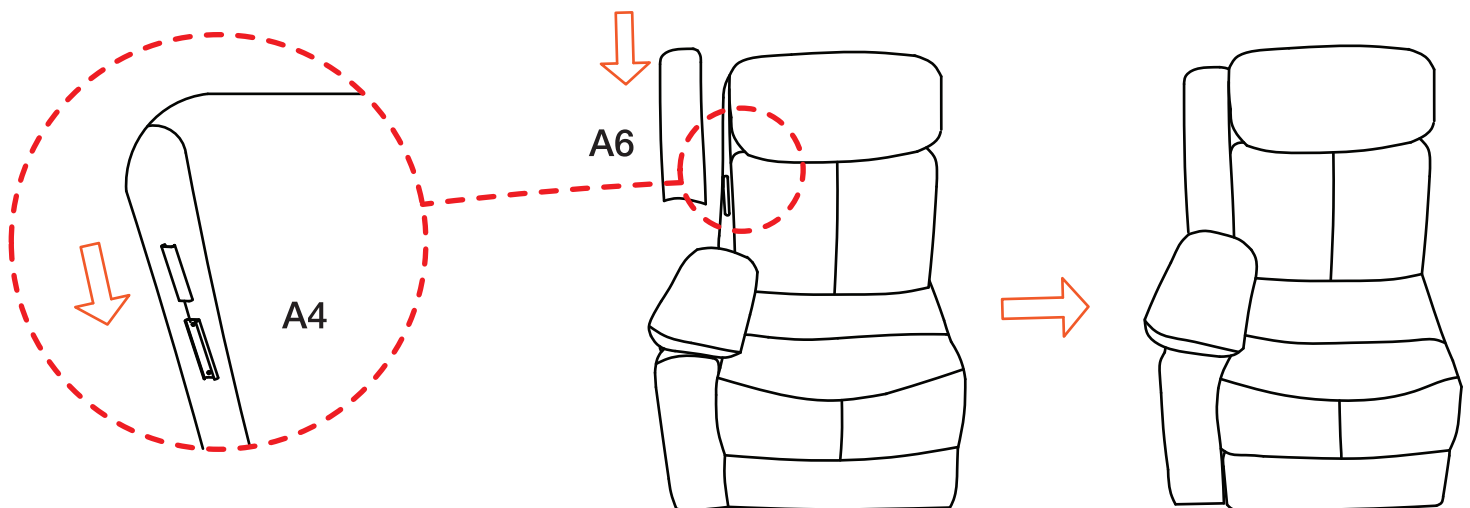
Assemble the seat back and seat base



---

## Step 6 - Seat A

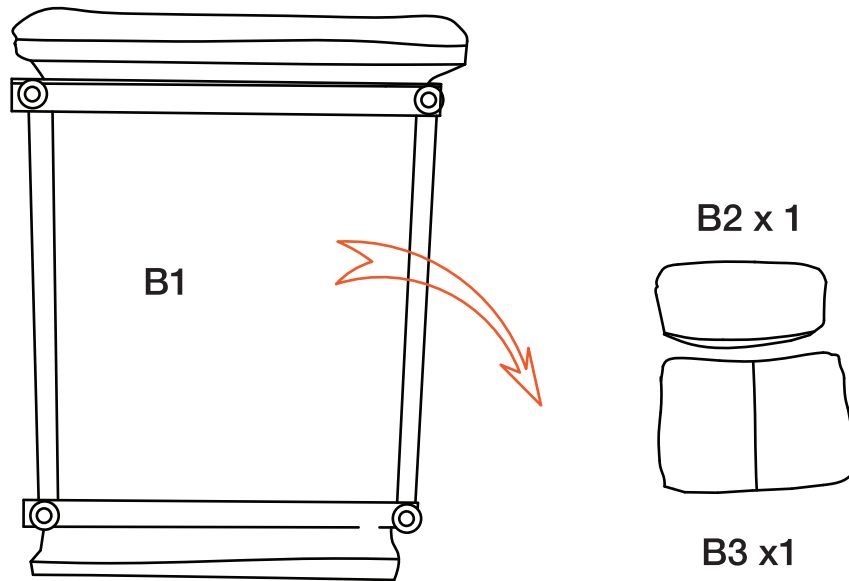
Assemble wing to back frame



---

## Step 7 - Seat B

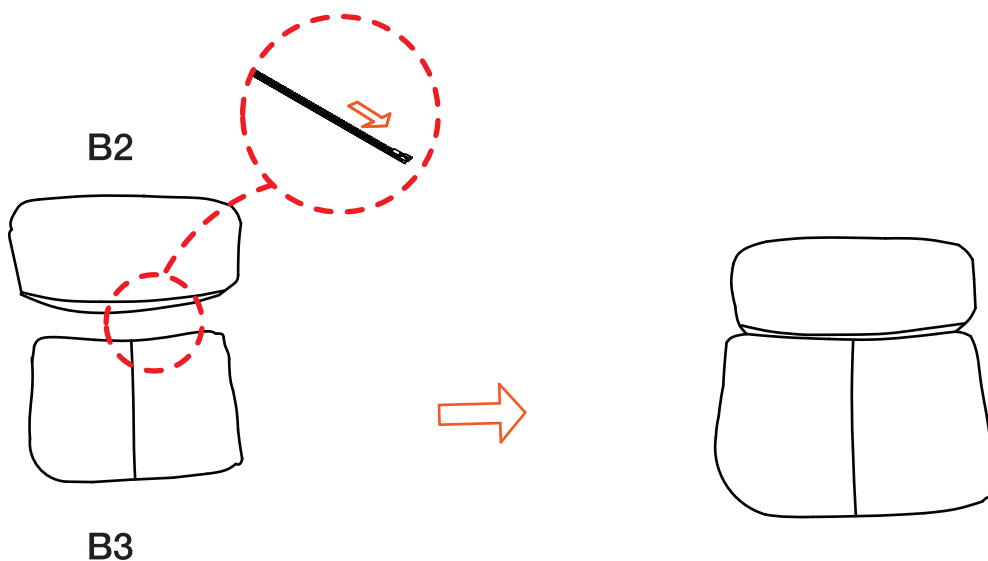
Take out cushion at the bottom of seat base



---

## Step 8 - Seat B

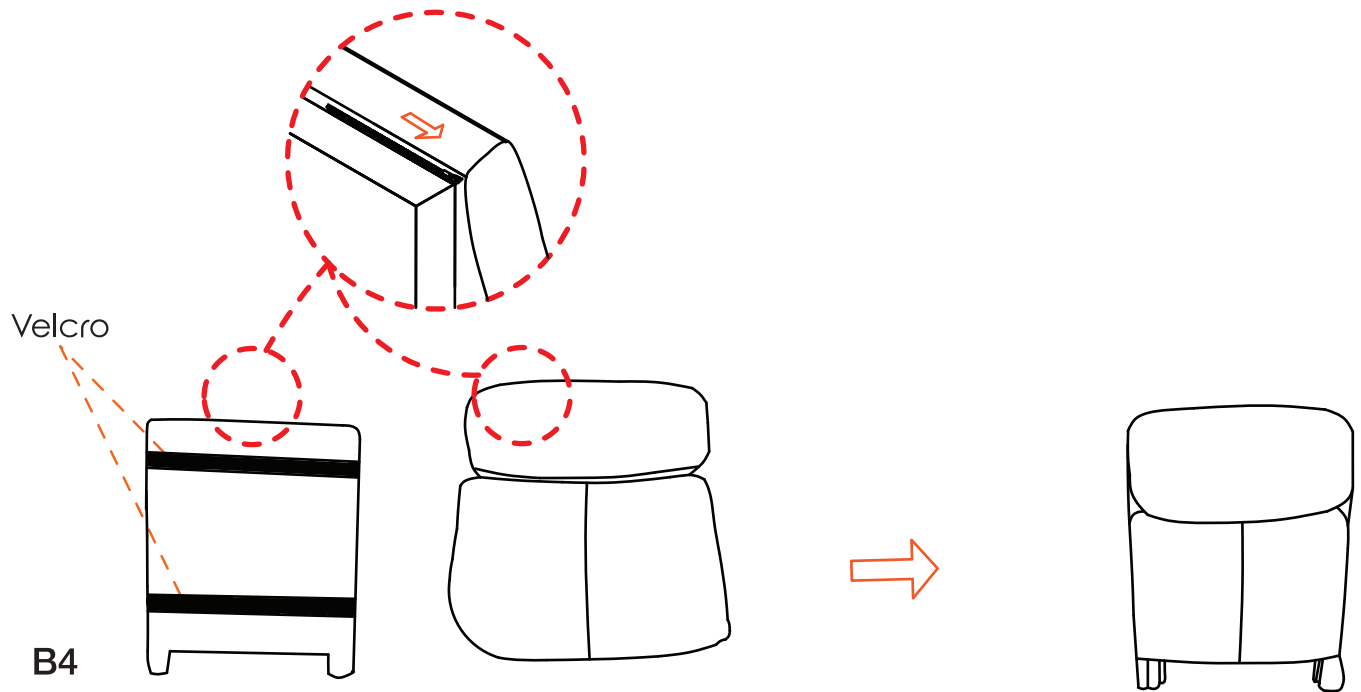
Assemble upper cushion and lower cushion together



---

## Step 9 - Seat B

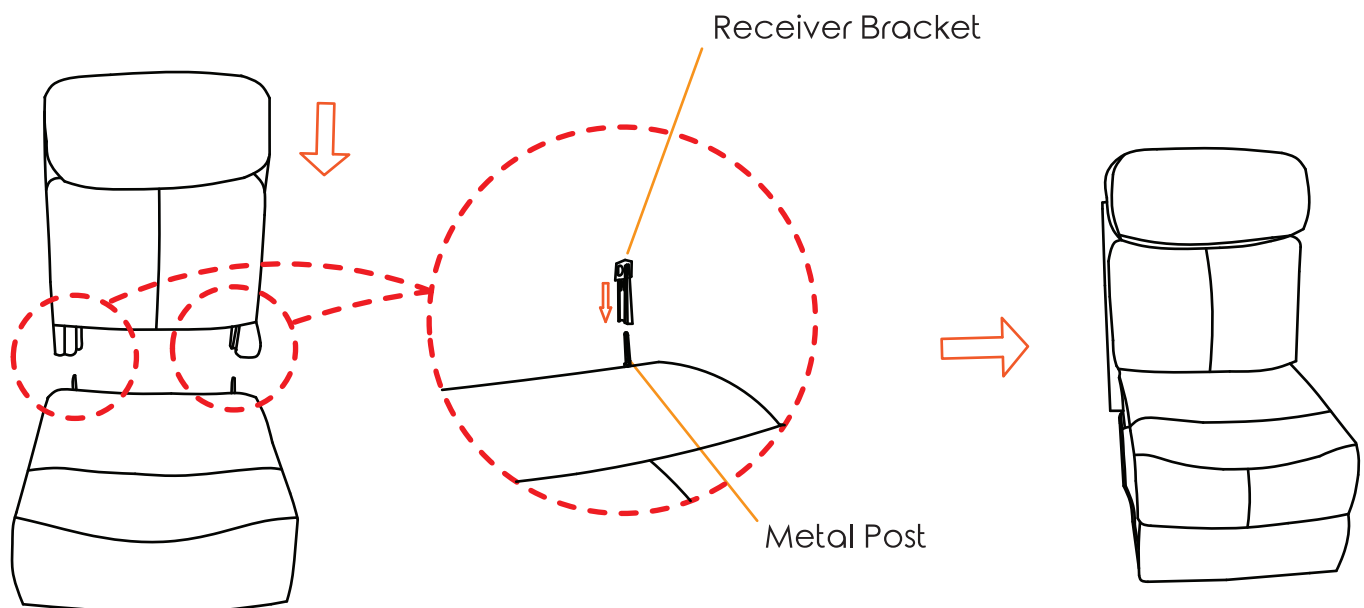
Attach the back cushion to back frame



---

## Step 10 - Seat B

Assemble the seat back to the seat base

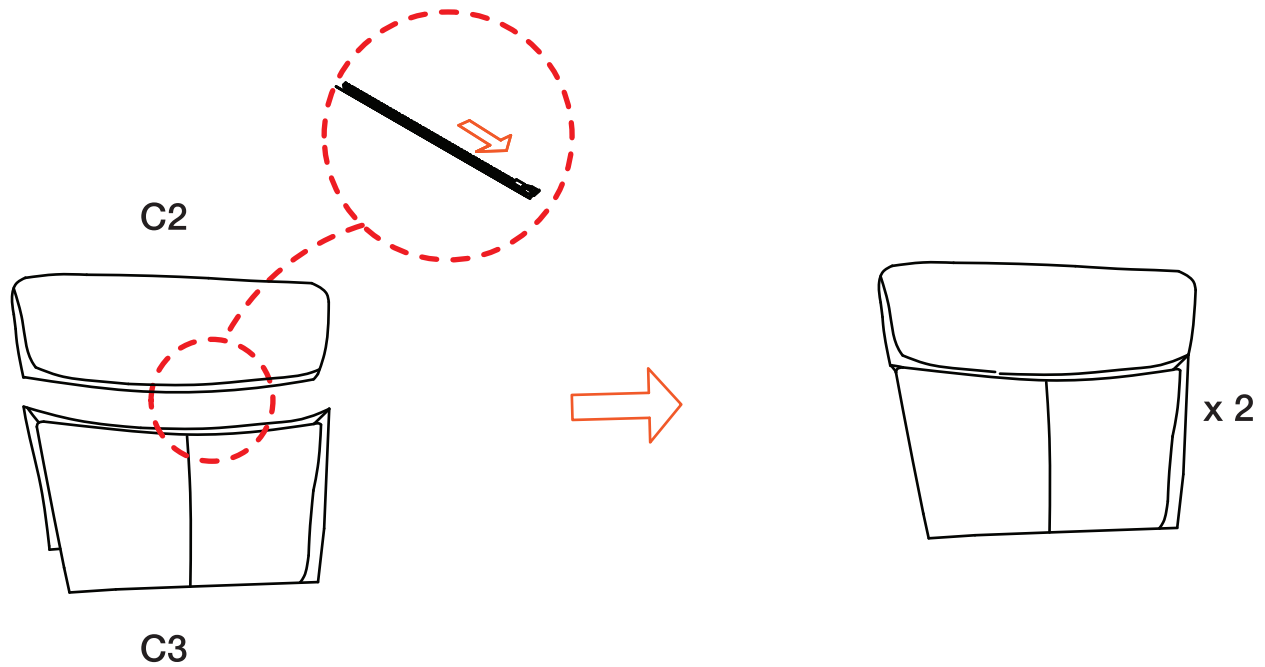




---

## Step 11 - Seat C

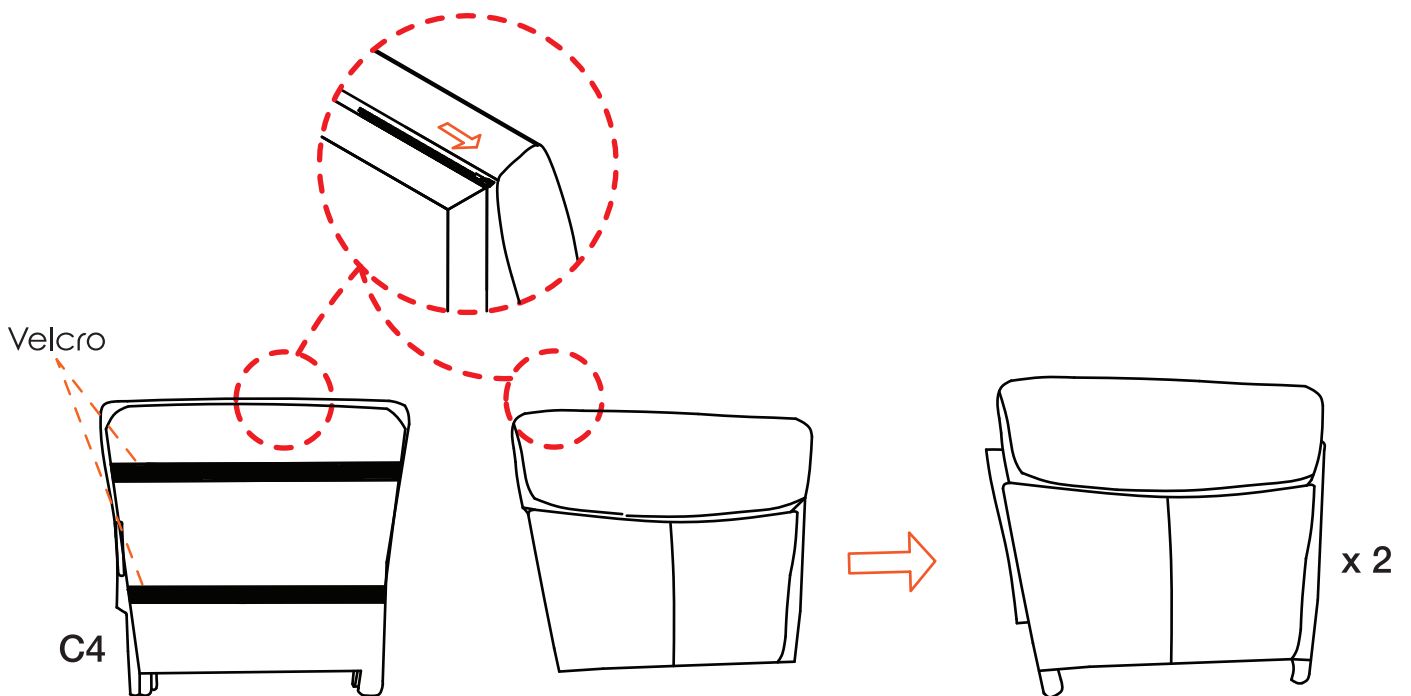
Assemble upper cushion and lower cushion together



---

## Step 12 - Seat C

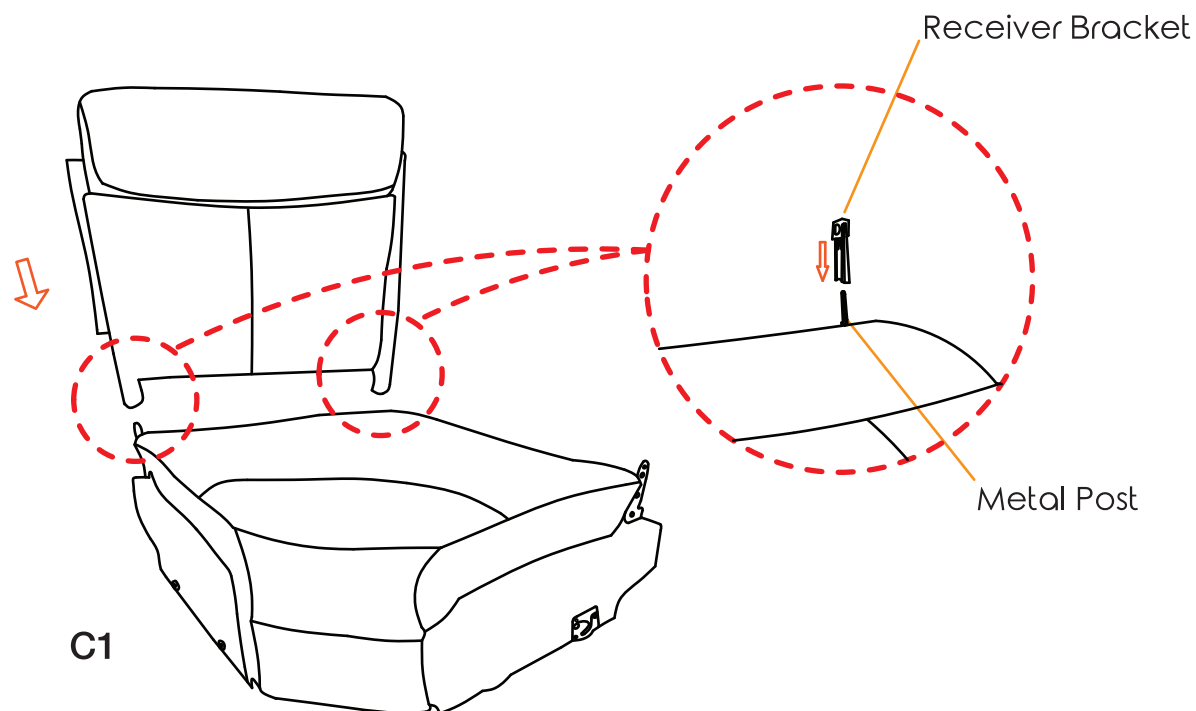
Attach the back cushion to back frame



---

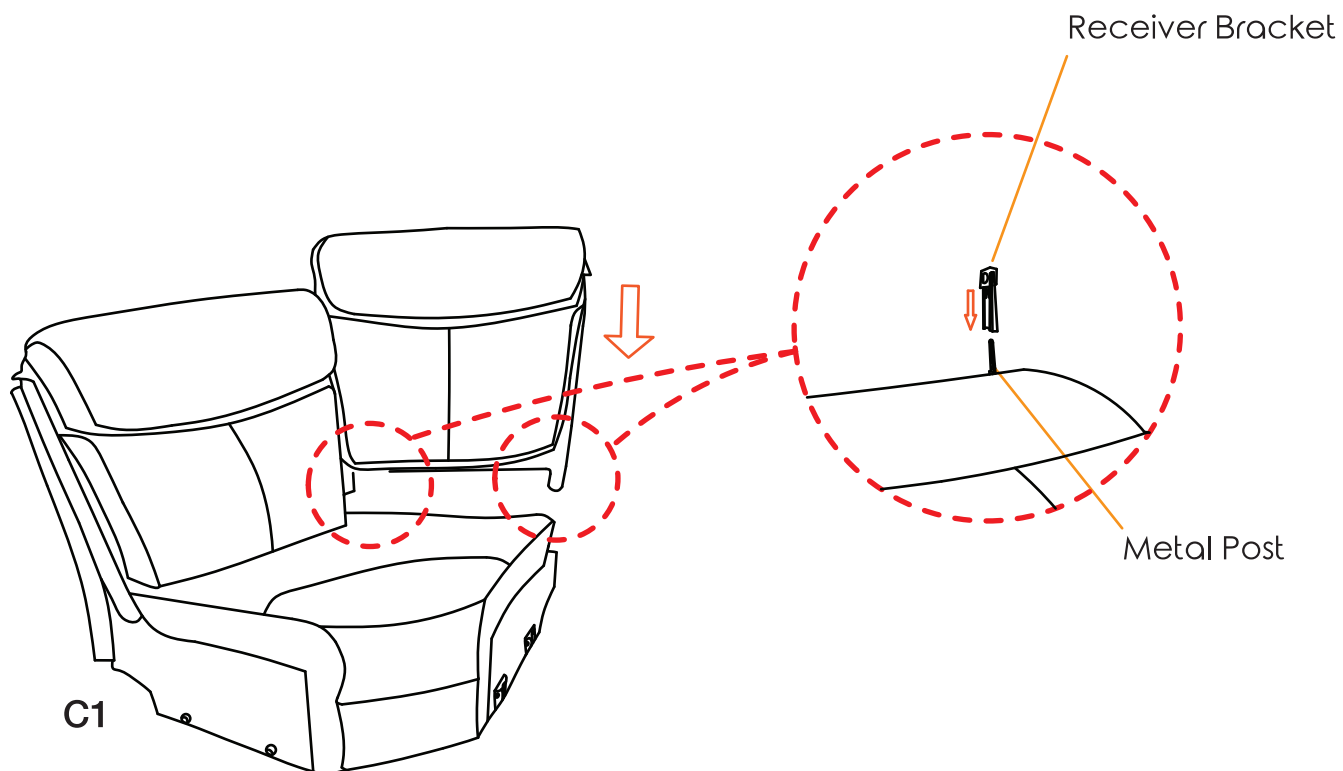
## Step 13 - Seat C

Assemble the seat back to the seat base



---

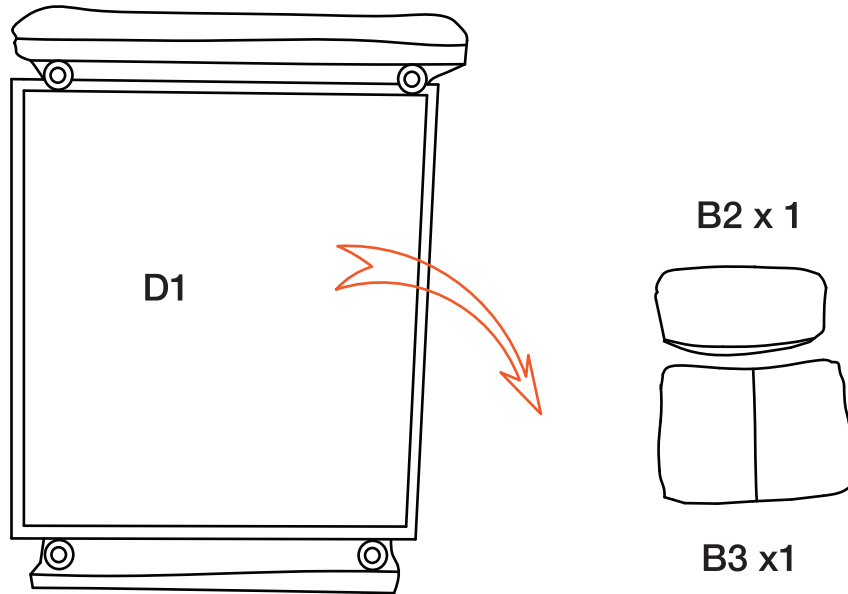
## Step 14 - Seat C



---

## Step 15 - Seat D

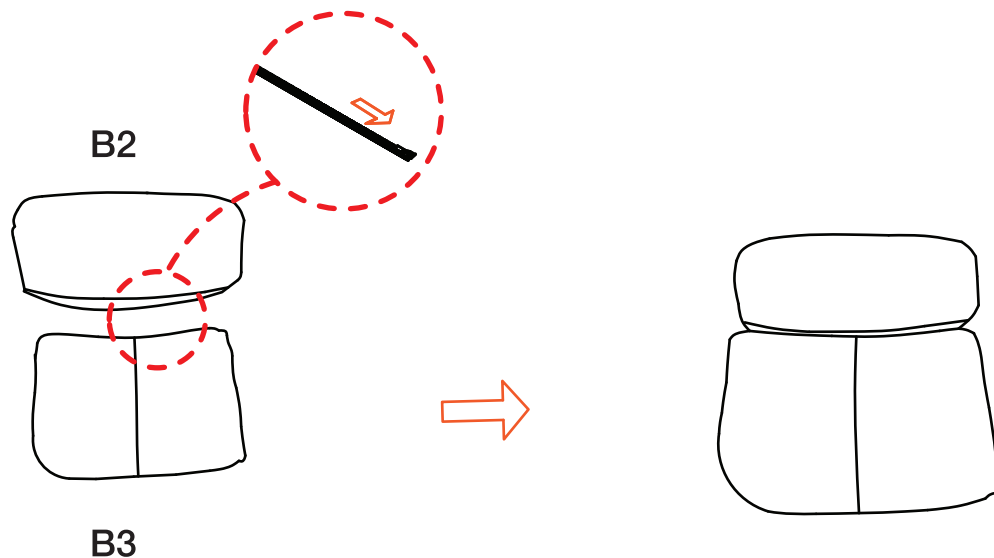
Take out cushion at the bottom of seat base



---

## Step 16 - Seat D

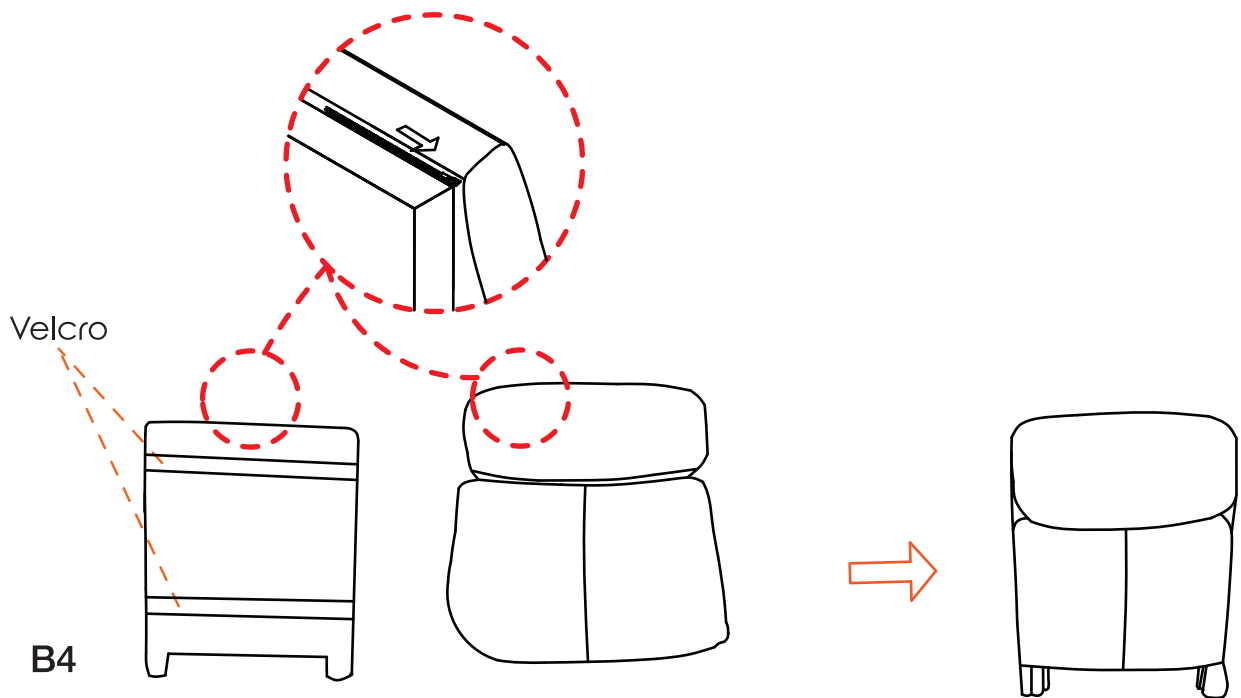
Assemble upper cushion and lower cushion together



---

## Step 17 - Seat D

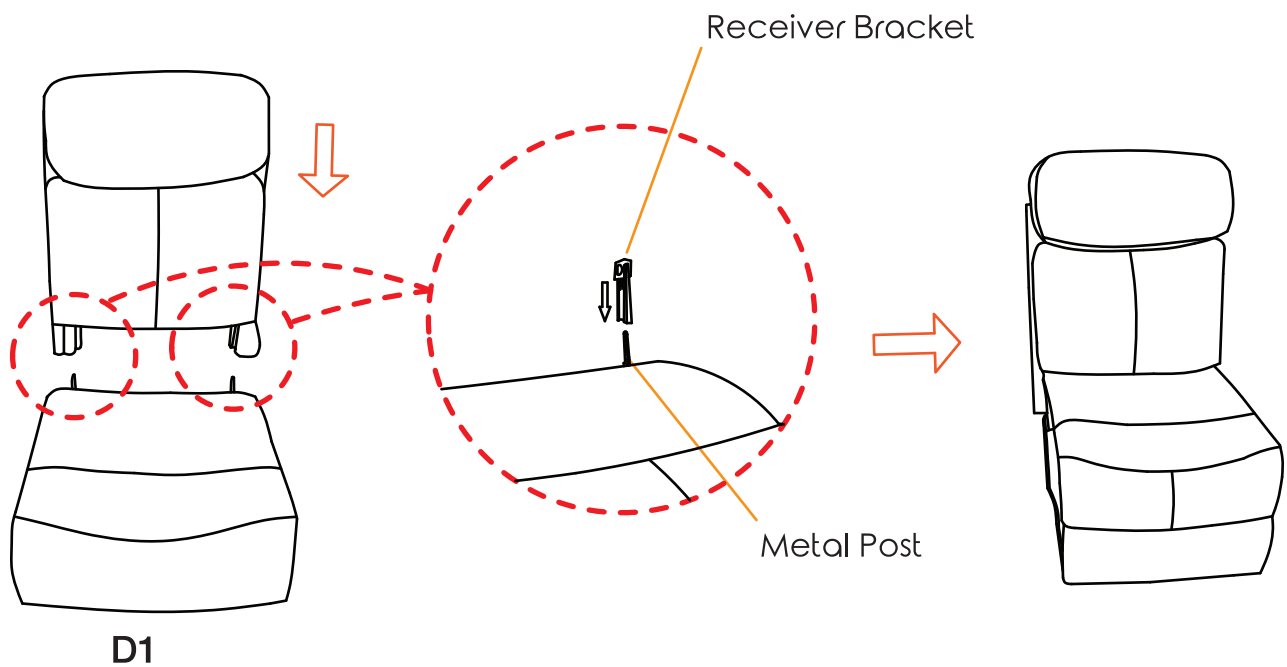
Attach the back cushion to back frame



---

## Step 18 - Seat D

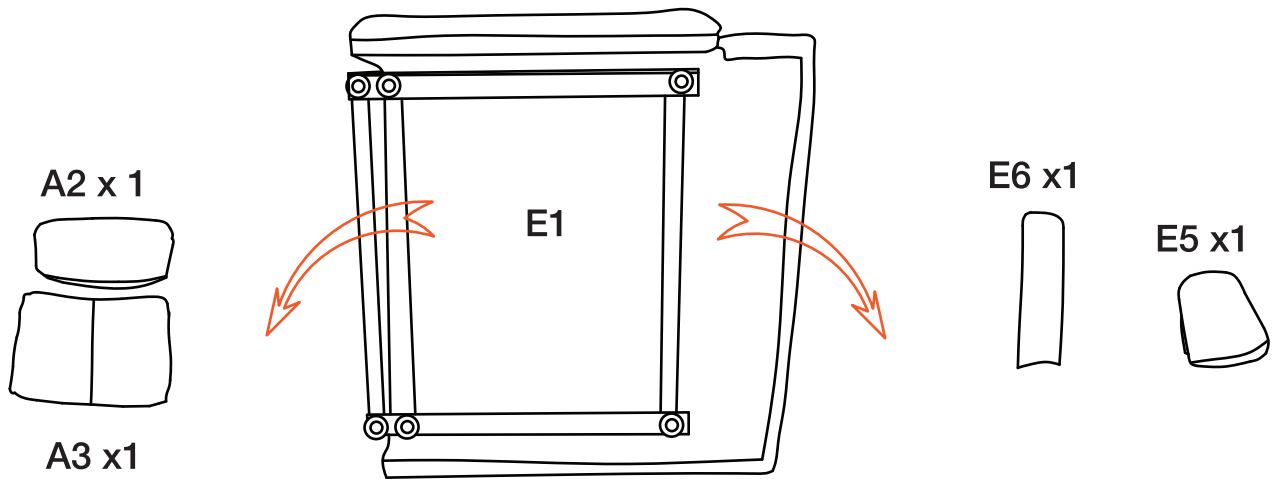
Assemble the seat back to the seat base



---

## Step 19 - Seat E

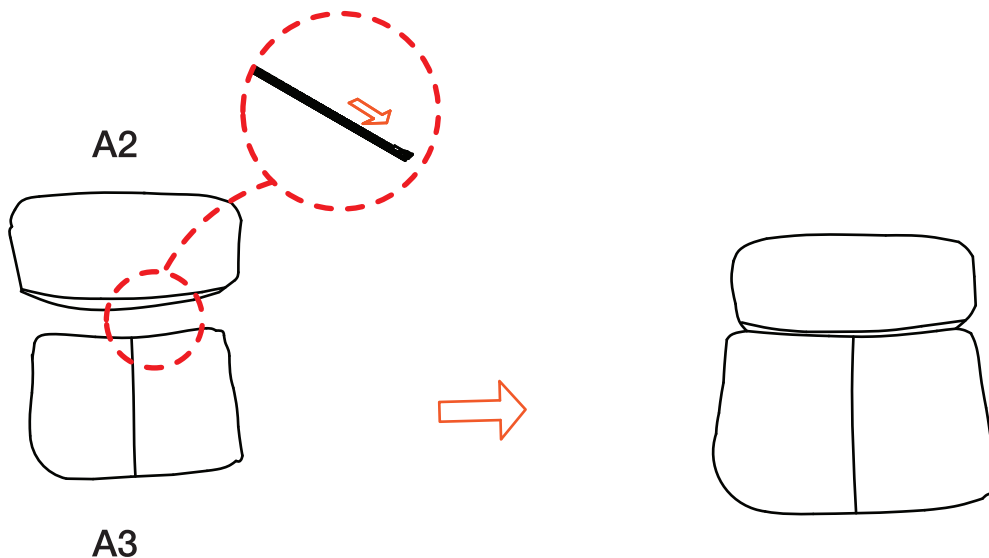
Take out cushion at the bottom of seat base



---

## Step 20 - Seat E

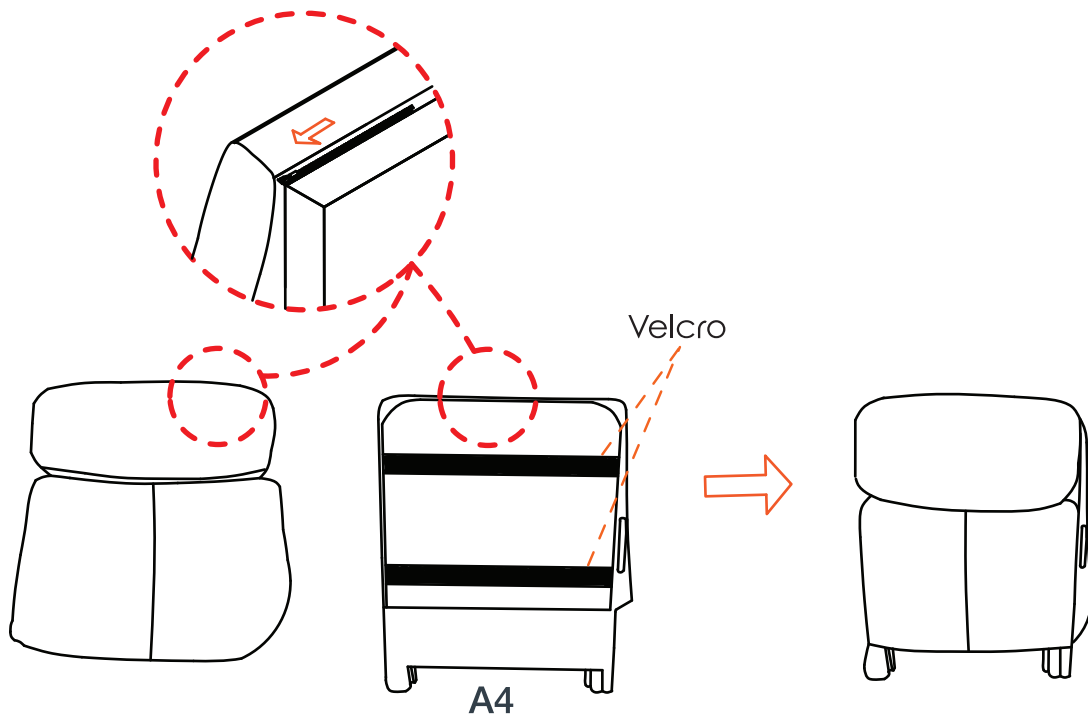
Assemble upper cushion and lower cushion together



---

## Step 21 - Seat E

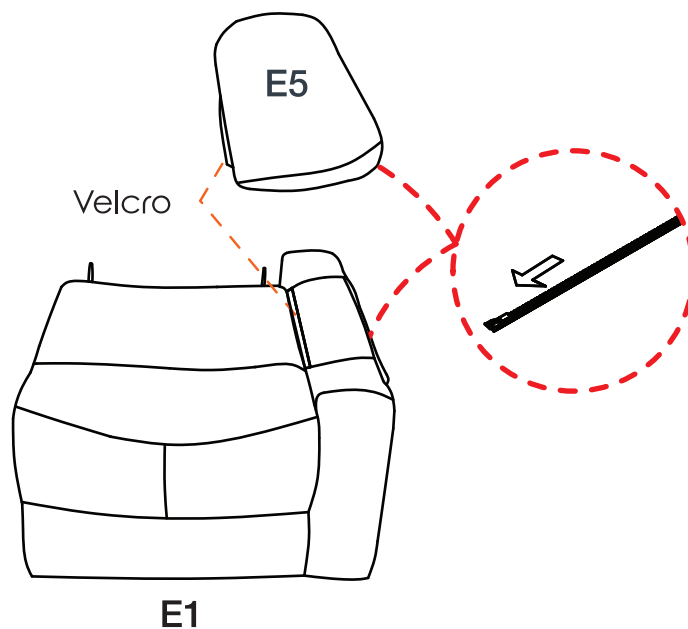
Attach the back cushion to back frame



---

## Step 22 - Seat E

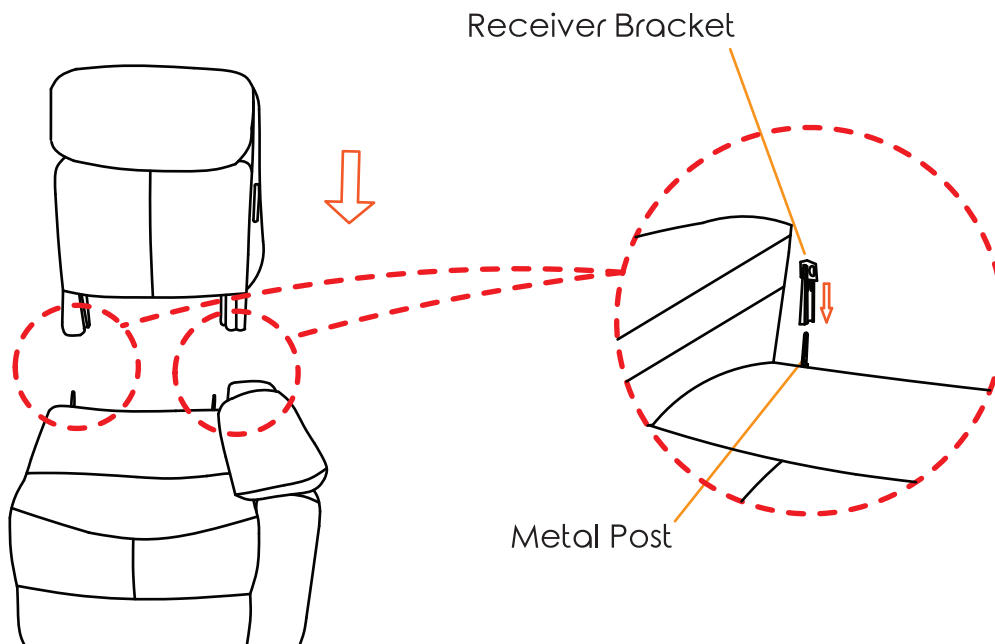
Attach the arm pad to seat base



---

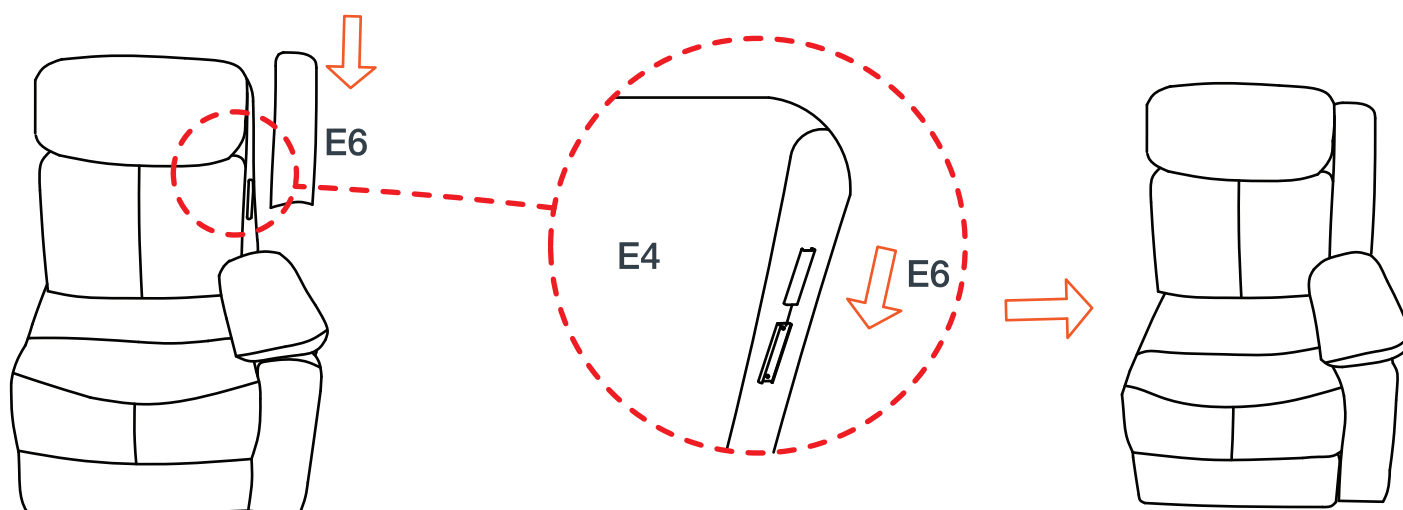
## Step 23 - Seat E

Assemble the seat back to the seat base



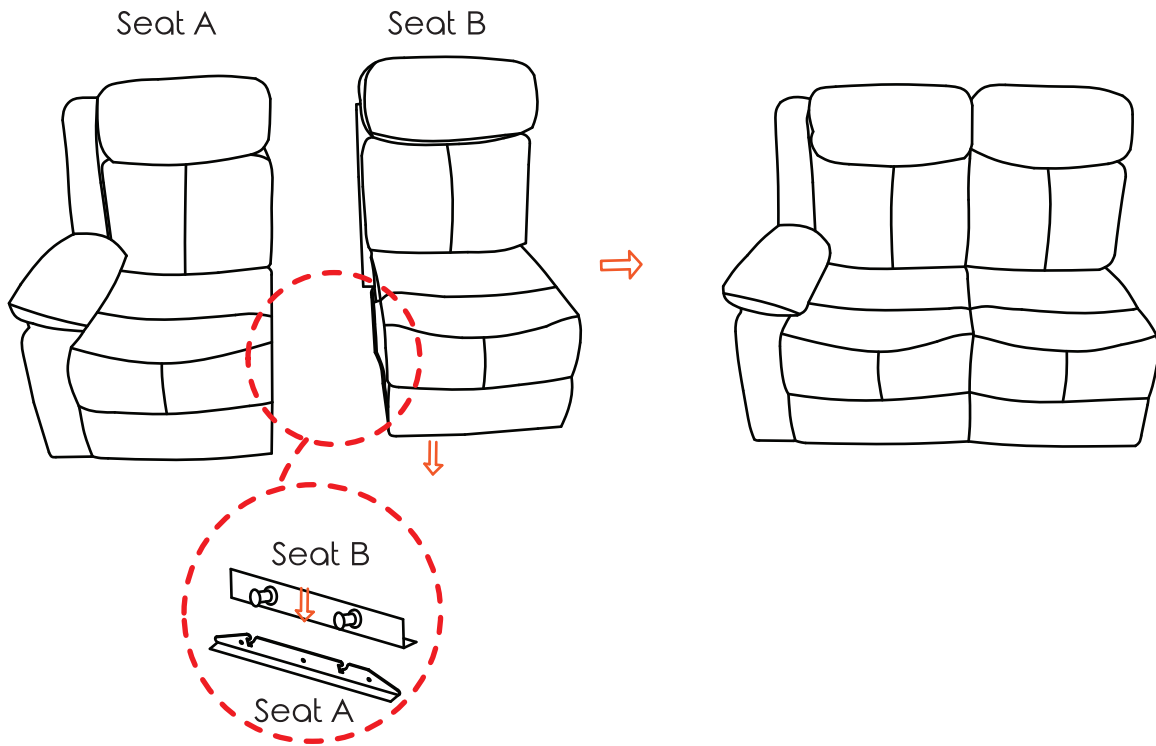
---

## Step 24 - Seat E



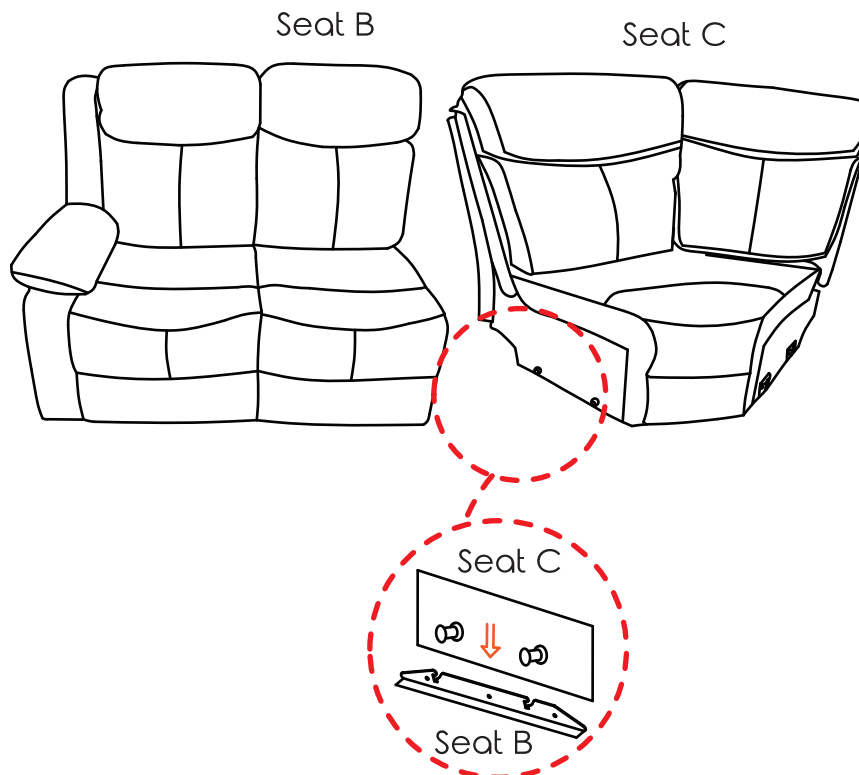
---

## Step 25



---

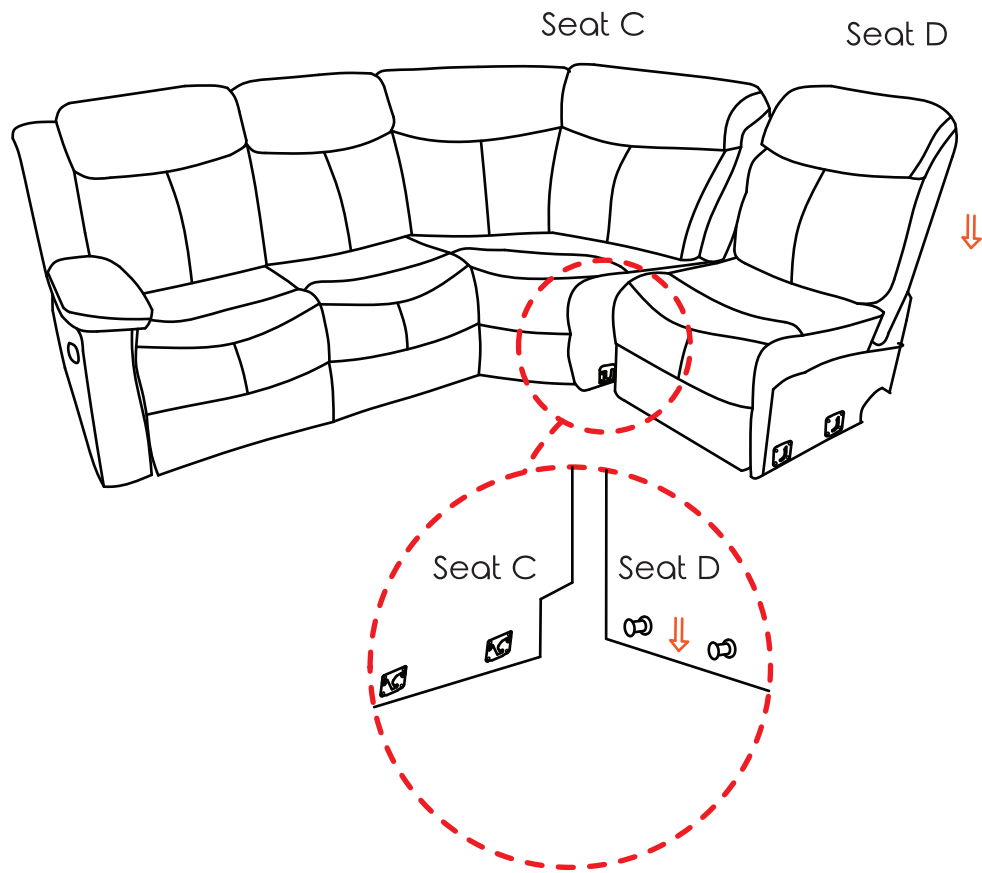
## Step 26





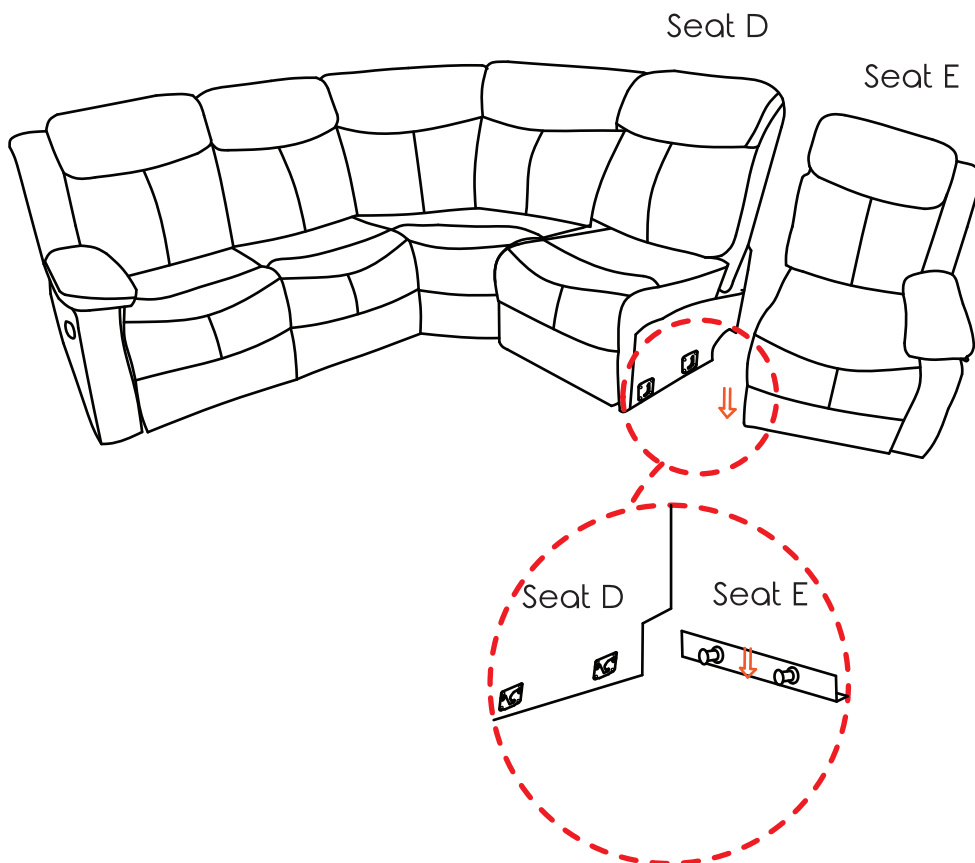
---

## Step 27



---

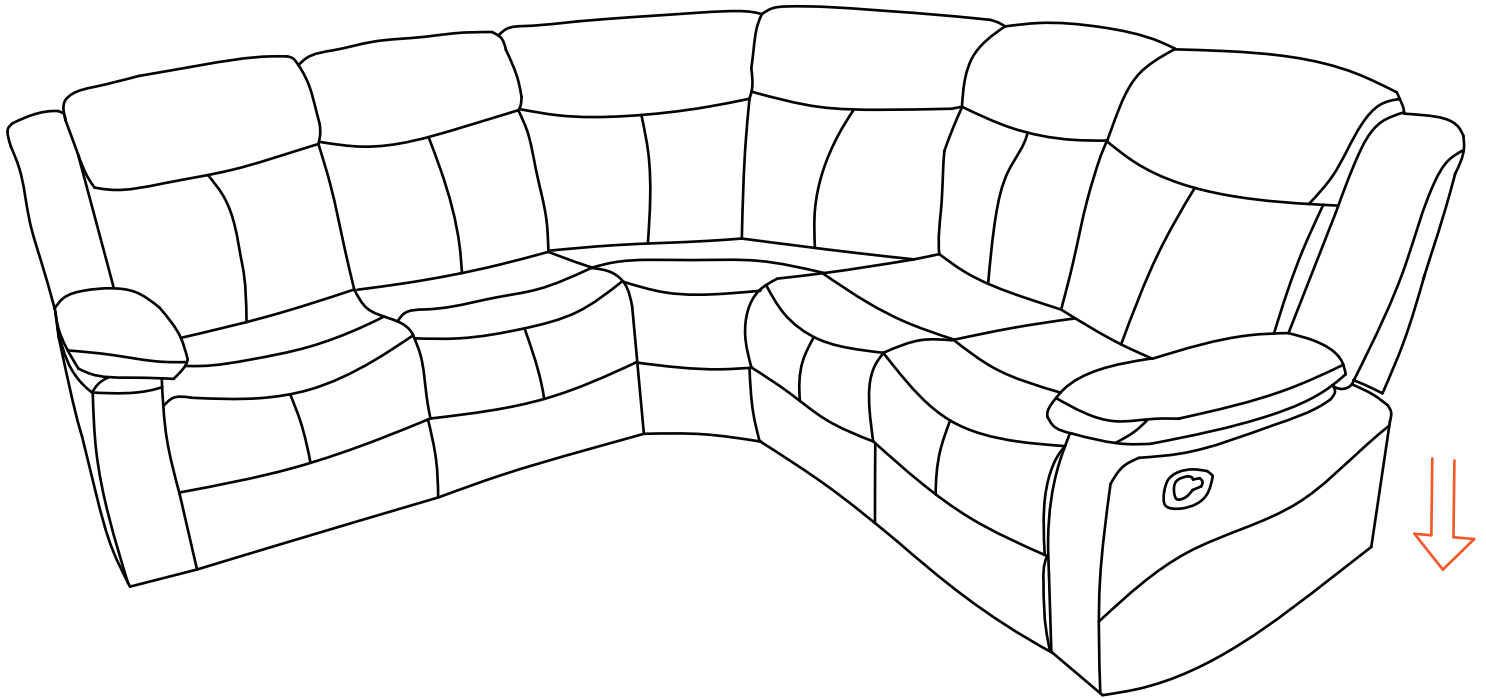
## Step 28



---

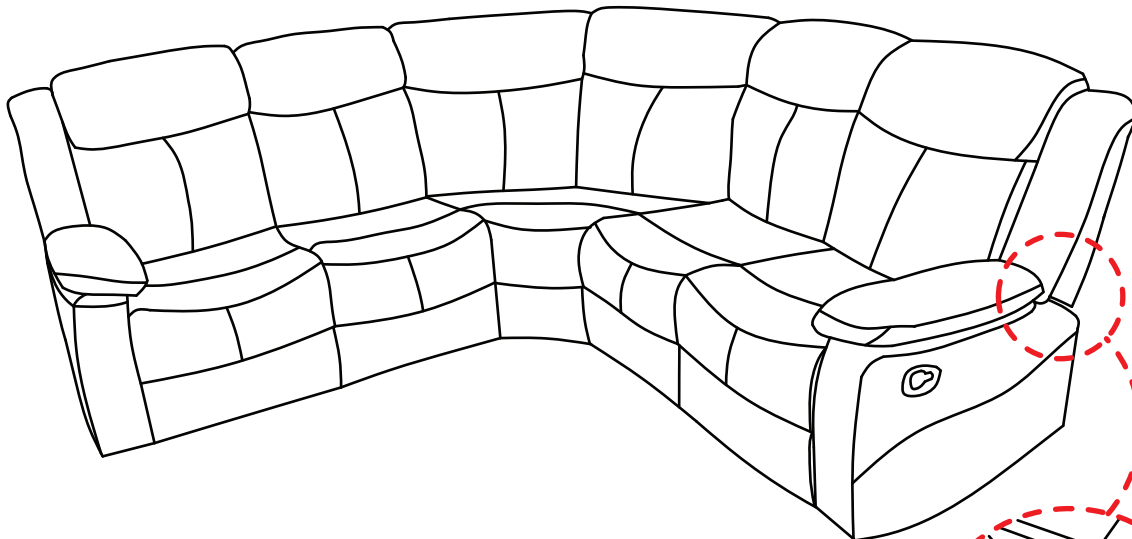
## Step 30

Fasten all the chair back covers to the underside of each seat

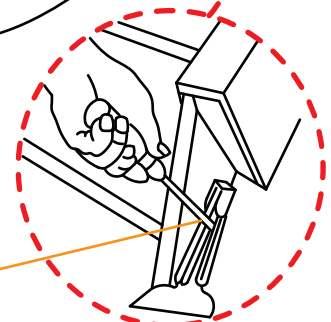


---

## Assembly Complete



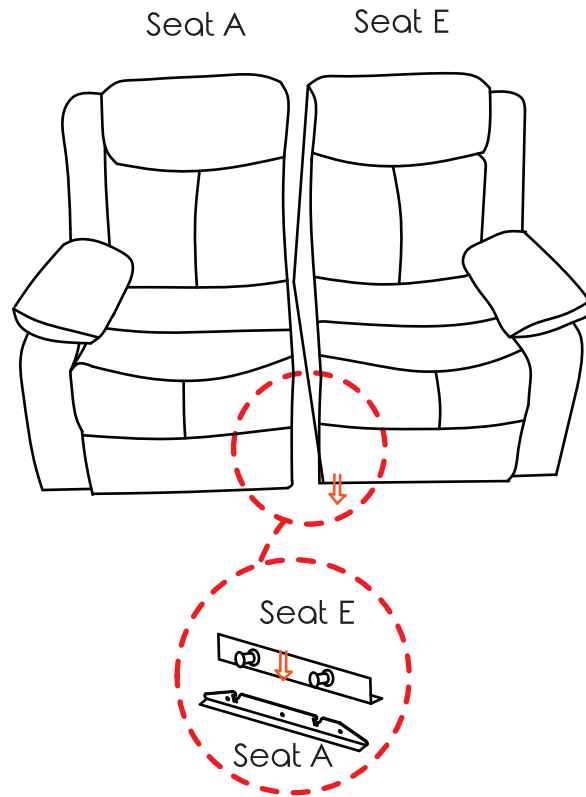
To remove the back, use a screwdriver pressing outward on the back tab in the receiver on both sides and lift the back from the base



---

## Additional Configurations

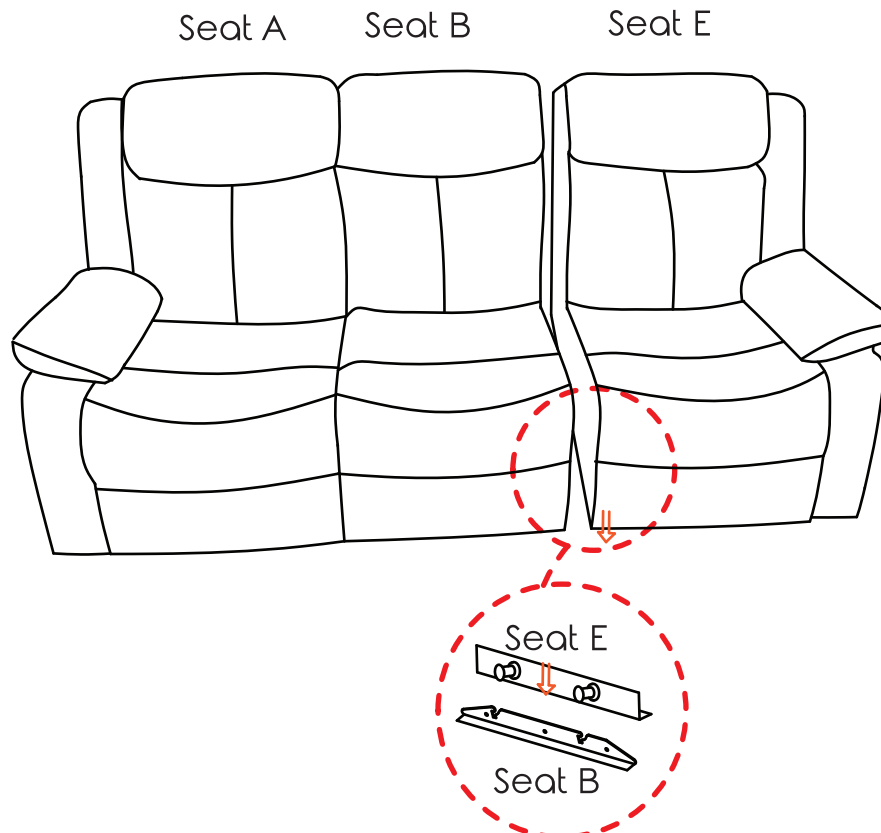
Loveseat



---

## Additional Configurations

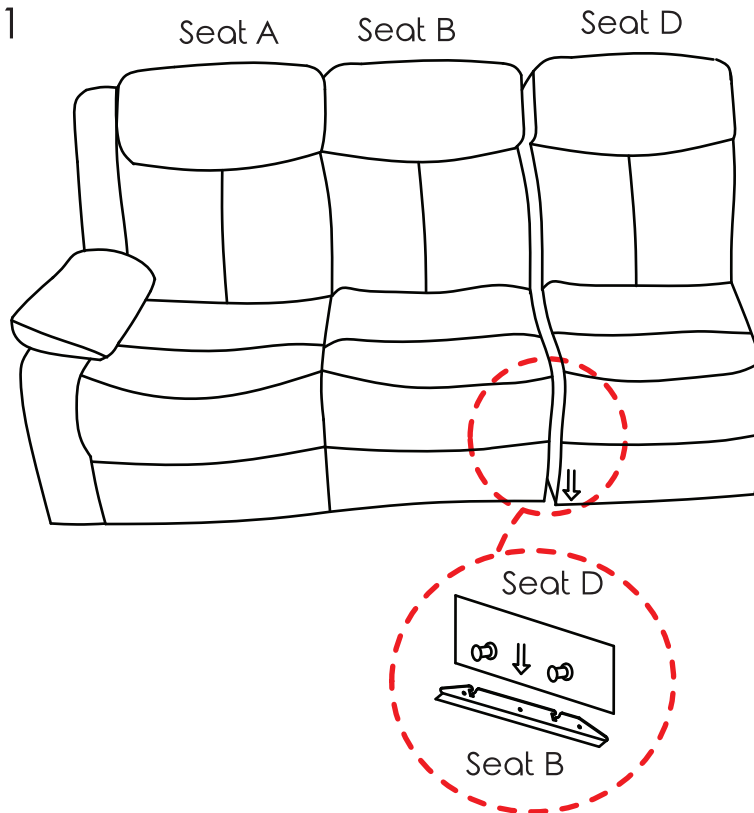
3 Piece Sofa



---

## Additional Configurations

### 4 Piece Sofa - Step 1



---

## Additional Configurations

### 4 Piece Sofa - Step 2

