

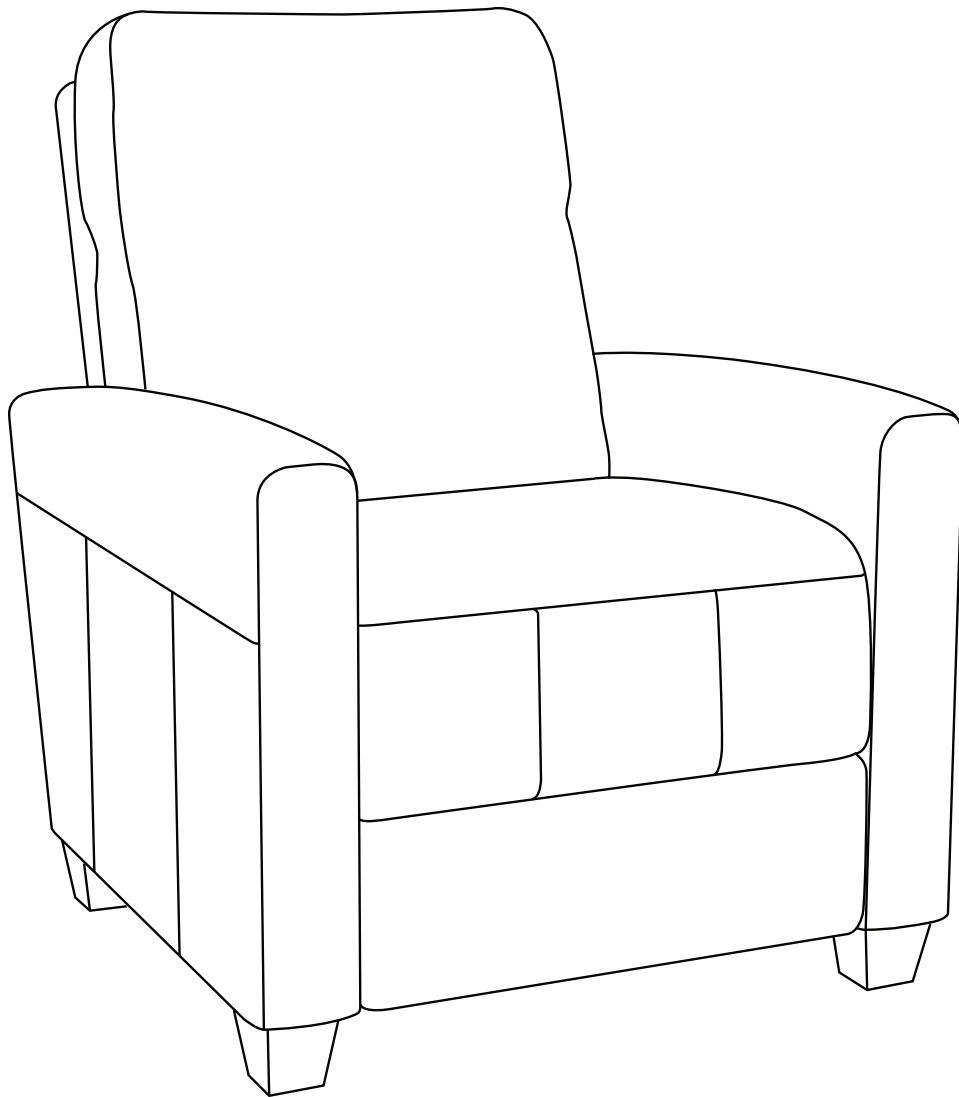
---

# Assembly Manual

Pushback Recliner

Model Number: 0M235U1

Item Number: 265785



THIS ASSEMBLY MANUAL CONTAINS IMPORTANT SAFETY INFORMATION.  
PLEASE READ AND KEEP FOR FUTURE REFERENCE.

---

---

Questions or Comments?  
We'd love to help with any questions or concerns.  
Phone: 1-866-387-8065  
Email: [info@northridge-home.com](mailto:info@northridge-home.com)  
If you prefer, you may also contact us via our website:  
[www.northridge-home.com](http://www.northridge-home.com)

---

## Important Safety Information

- Please read all instructions carefully before assembling this furniture.
  - For your safety, assembly by two or more adults is strongly recommended.
  - Use only vendor-supplied hardware to assemble this item. Using unauthorized hardware could jeopardize the structural integrity of the item.
  - Hardware may loosen overtime. Periodically check that all connections are tight.
- 

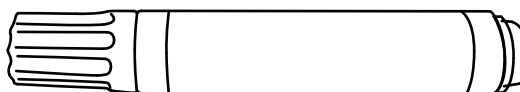
## Before Assembly

- Remove all parts and hardware from the box. Place all items on a carpeted or scratch-free work surface, as this will avoid damaging parts during assembly.
  - The shipping box provides an ideal work surface.
  - To avoid accidentally discarding small parts or hardware, do not dispose of any packaging or contents of the shipping carton until assembly is complete.
  - Use the parts and hardware lists below to identify and separate each of the pieces included.
  - The use of power tools for assembly is not recommended. Power tools can damage the hardware and/or split the wood.
  - Note: Do not fully tighten all bolts until all parts are in place. Failure to follow these instructions may cause the bolts to misalign during assembly.
- 

## Care and Cleaning

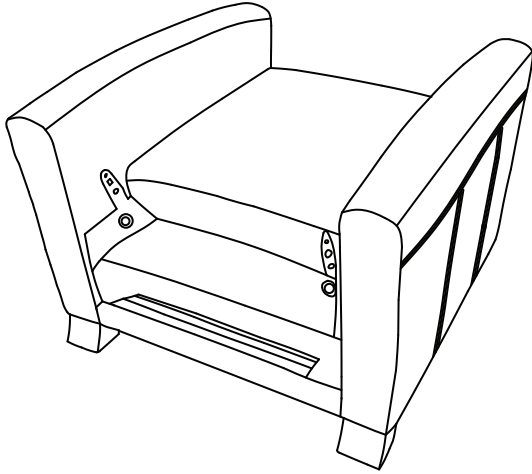
- Spot clean with upholstery shampoo foam from a mild detergent or mild dry cleaning.
  - Do not saturate with liquid.
  - Pile fabrics may require brushing to restore appearance.
- 

Touch-up Pen

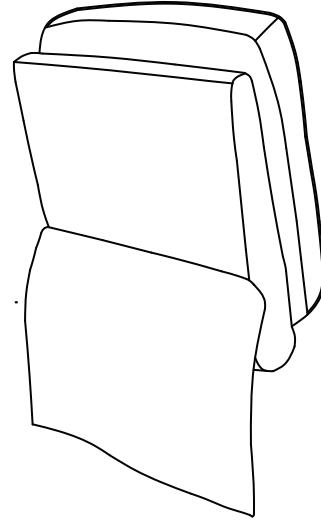


# Components

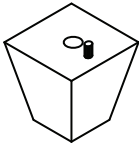
A x 1\*



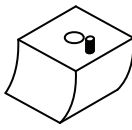
B x 1\*



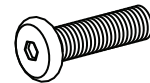
C x 2\*



D x 2\*

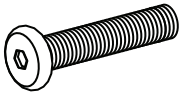


E x 2\*



$\frac{5}{16}$ " x 70 mm

F x 2\*



$\frac{5}{16}$ " x 110mm

G x 4\*



$\frac{5}{16}$ "

H x 4\*

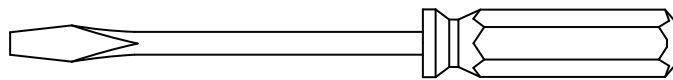


$\frac{5}{16}$ "

I x 1\*



Tools Needed for removing the back

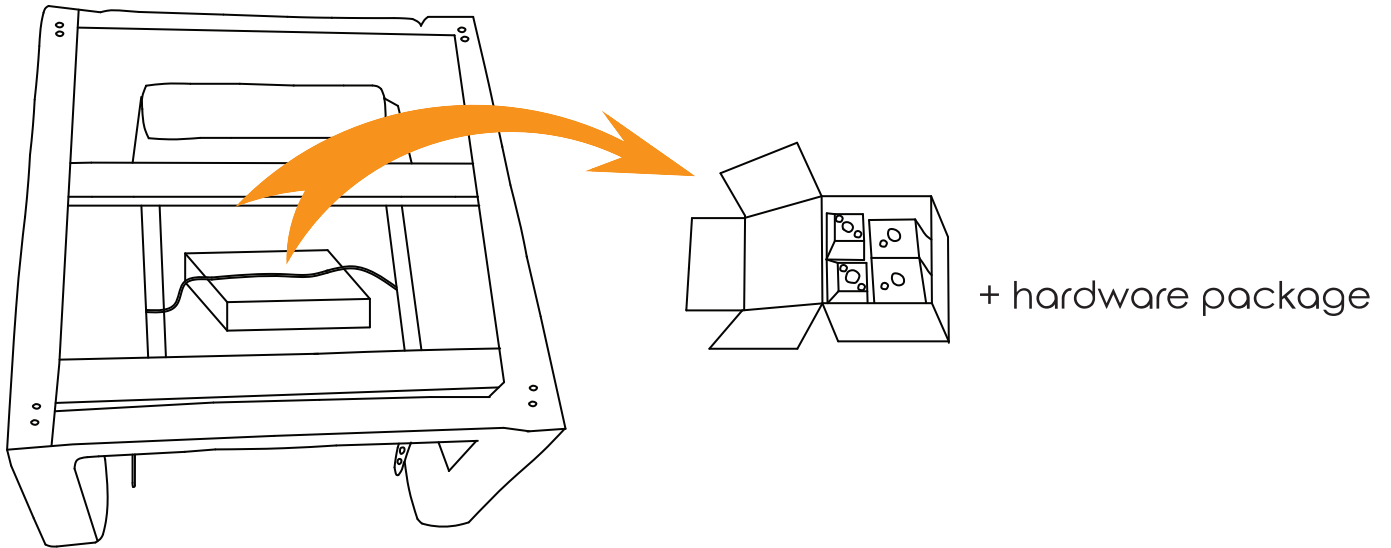


Slotted screwdriver (Not provided)

\*Replacement Part

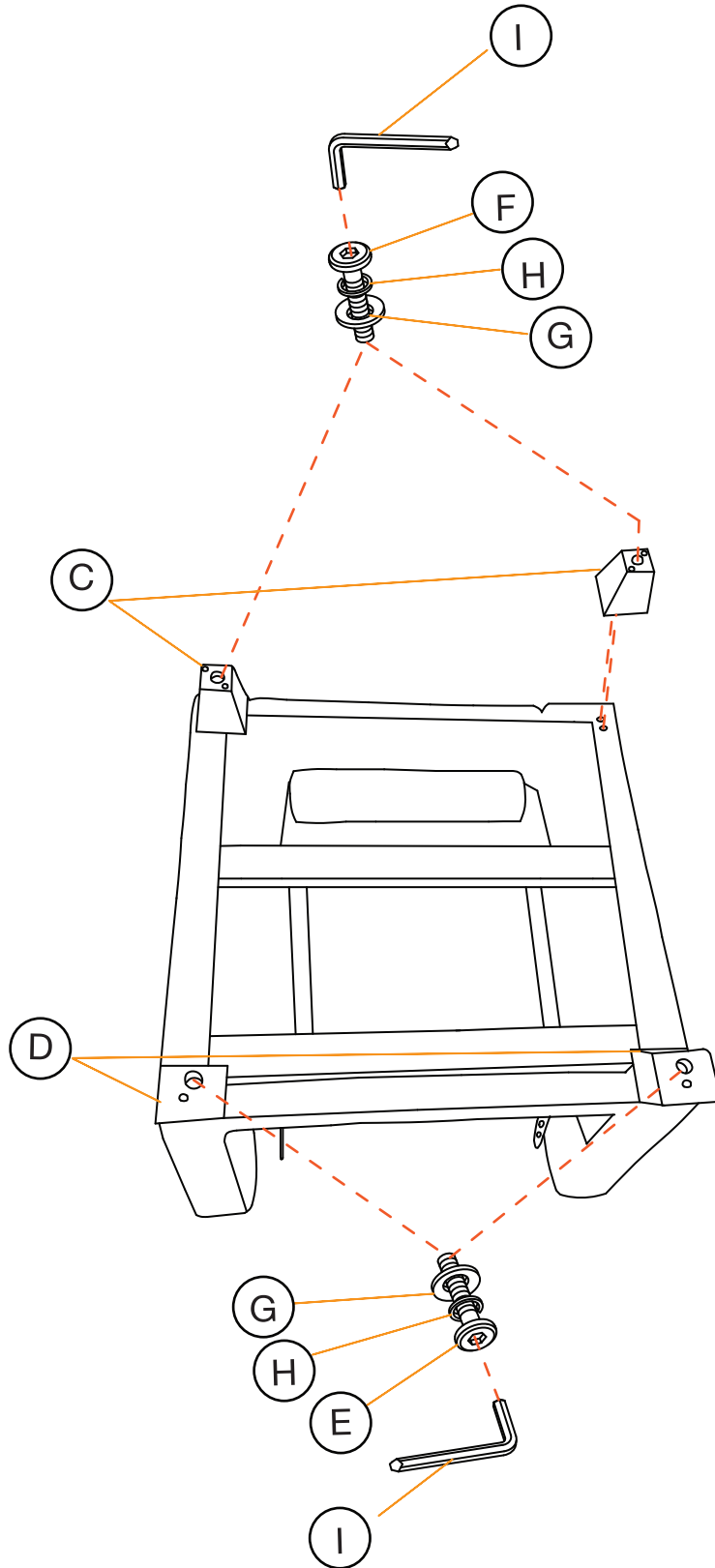
---

# Step 1



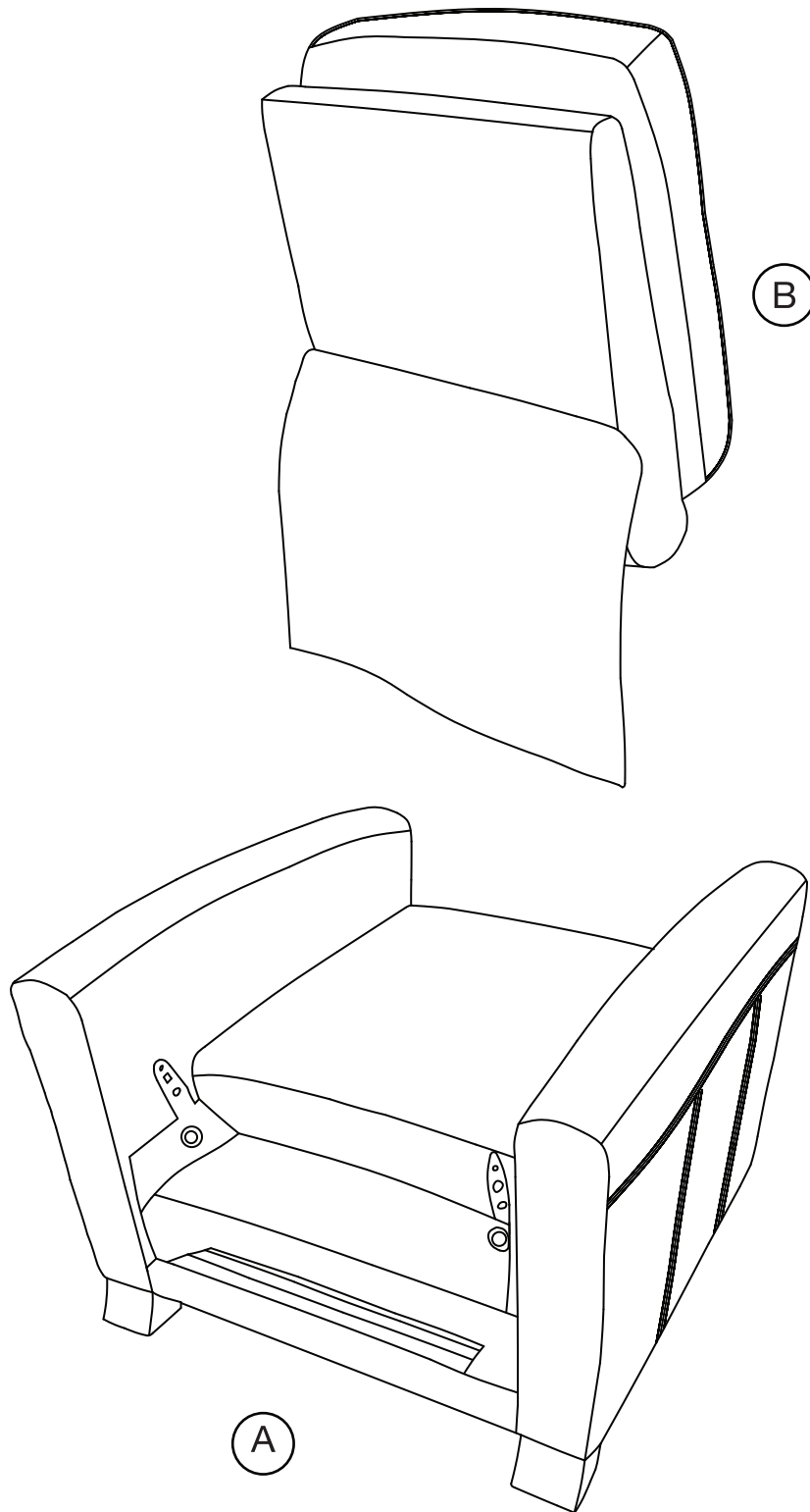
---

## Step 2



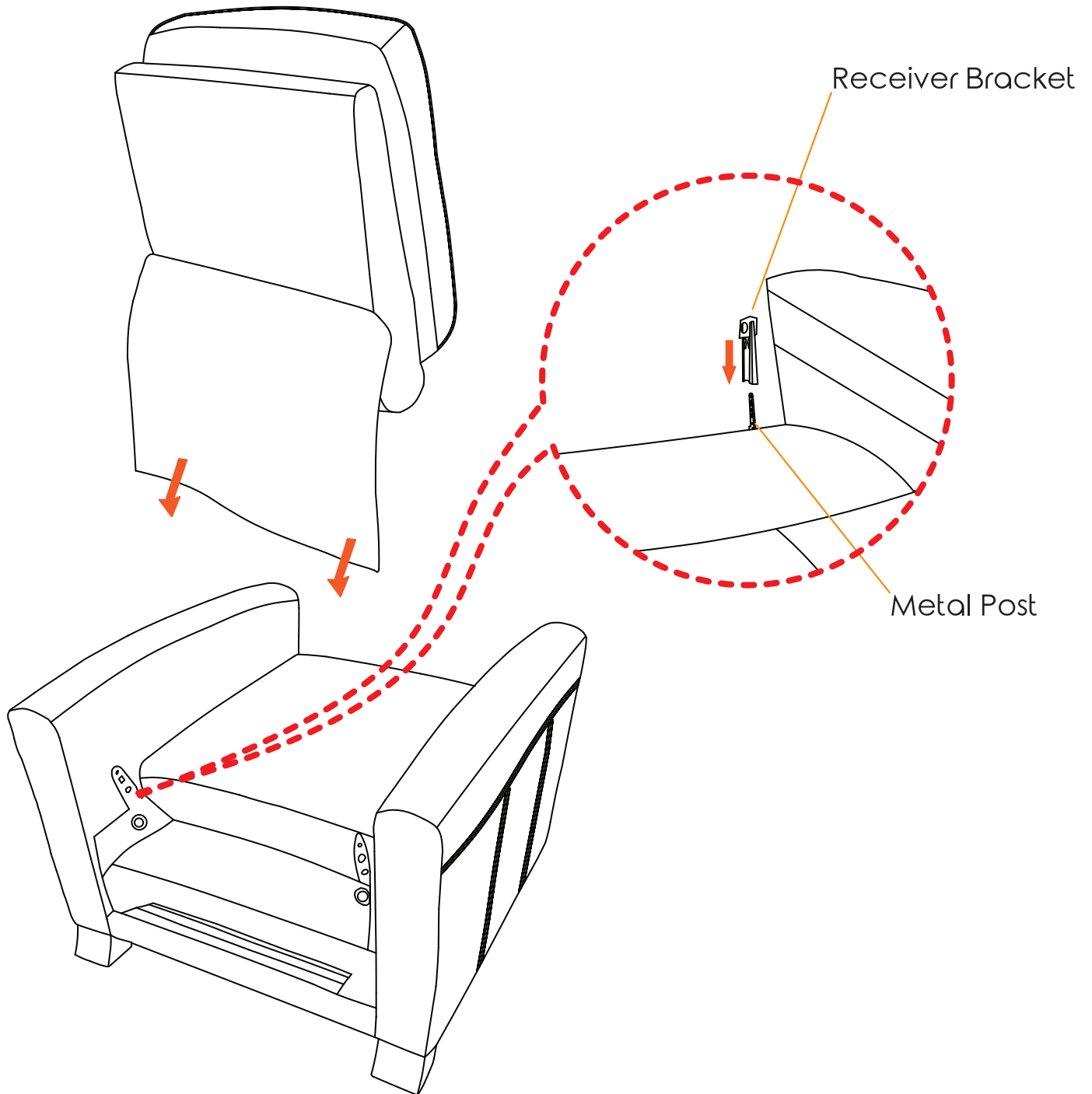
---

## Step 3



---

## Step 4



---

## Step 5

To remove the back, use a slotted screwdriver pressing outward on the back tab in the receiver on both sides and lift the back from the base

